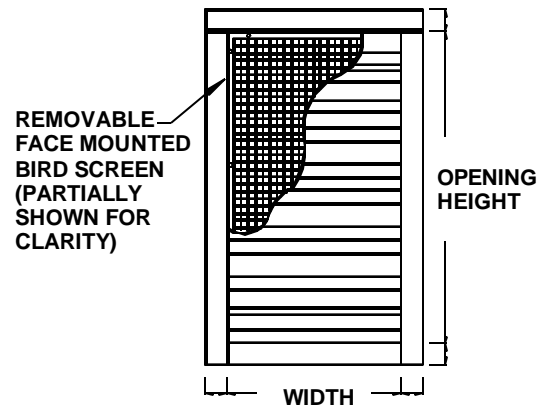
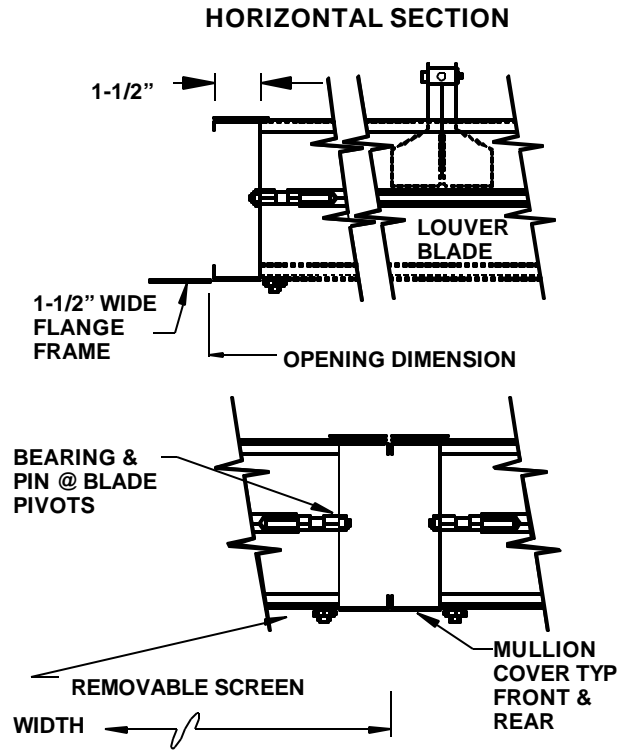
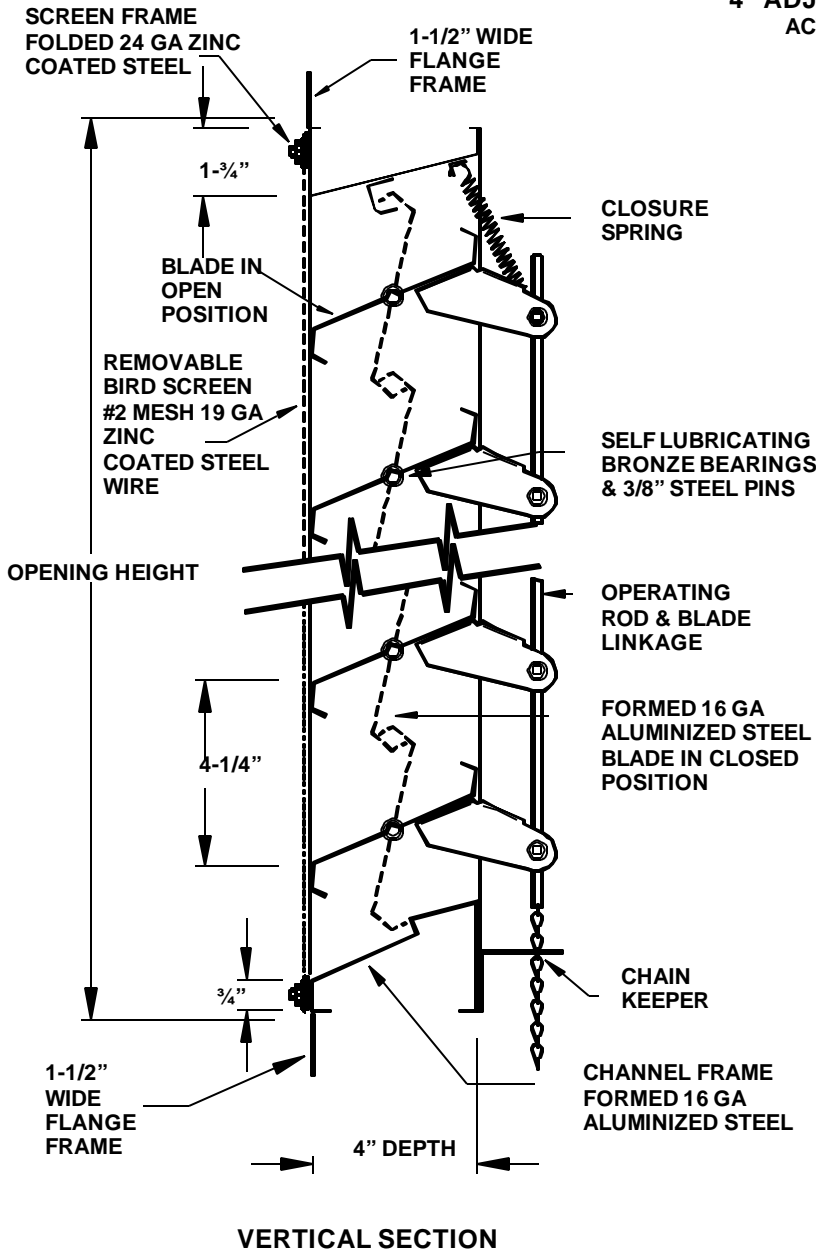


# MODEL AG4054F

FORMED STEEL ADJUSTABLE LOUVER  
WITH FLANGE FRAME

4" ADJUSTABLE STORM BAFFLED 45 DEGREE BLADE  
ACTUAL LOUVER SIZE 1/4" UNDER OPENING DIMENSION



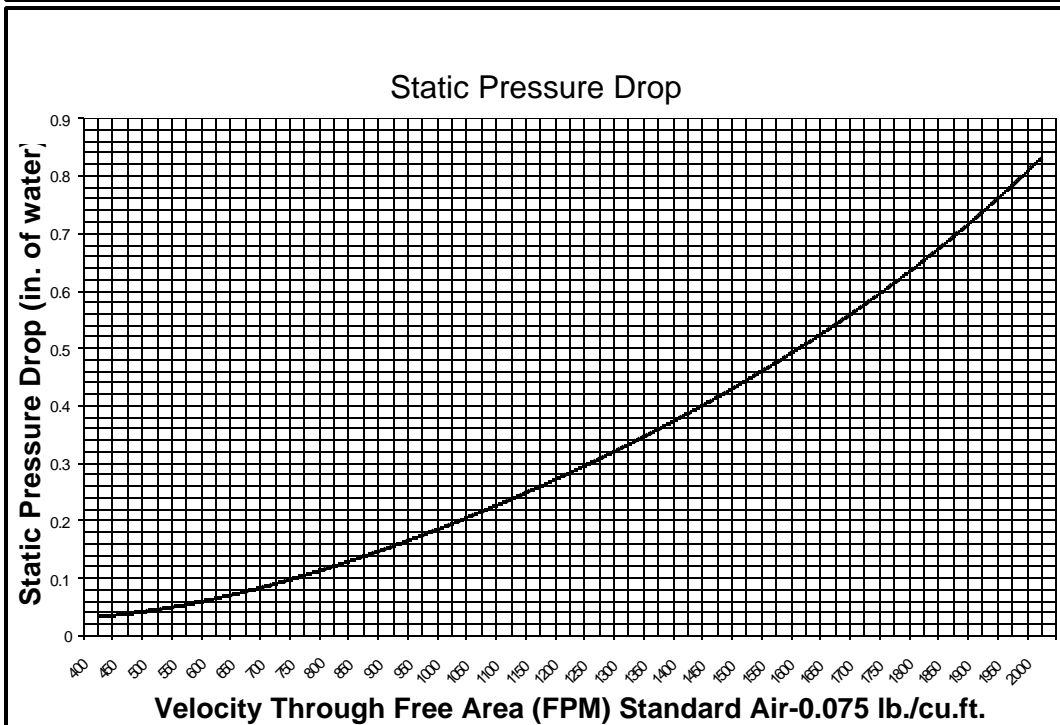
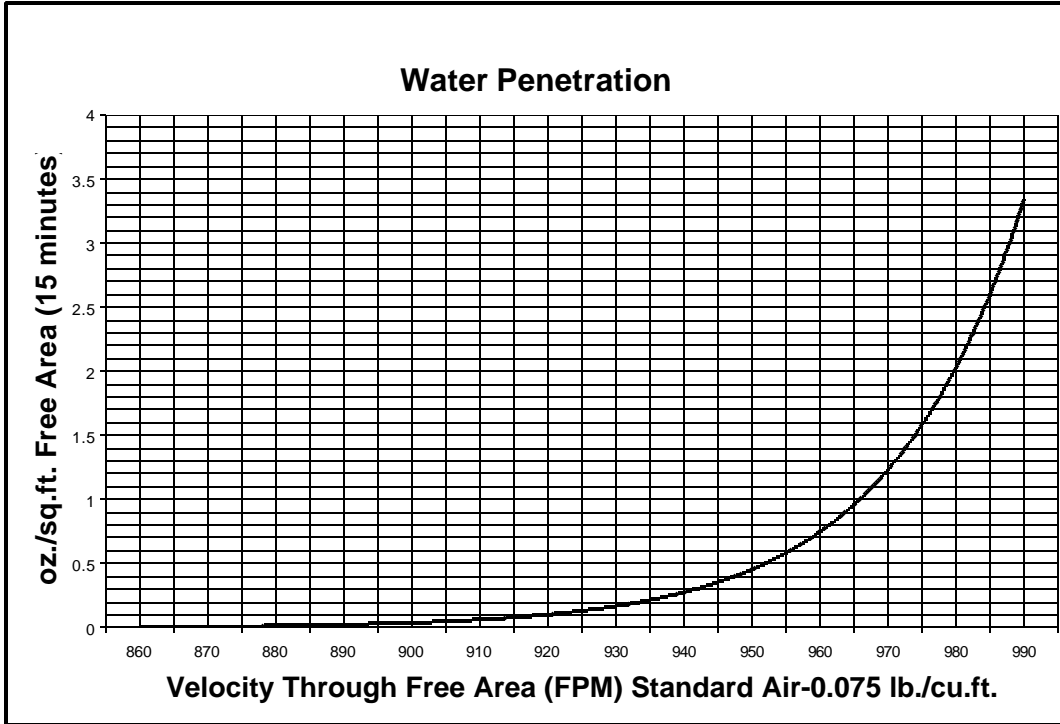
TAG	QUANTITY	WIDTH	HEIGHT	FINISH	COLOR	SCREEN

PROJECT \_\_\_\_\_ CONTRACTOR \_\_\_\_\_  
 LOCATION \_\_\_\_\_ APPROVED BY \_\_\_\_\_  
 DATE \_\_\_\_\_ DATE APPROVED \_\_\_\_\_

**R & S SALES COMPANY, INC.**  
 3575 Old Conejo Road, NEWBURY PARK, CA 91320  
 PHONE 805-375-3980 FAX 805-375-3981

**MODEL AG4054**  
**FORMED STEEL LOUVER**  
**4" ADJUSTABLE STORM BAFFLED 45 DEGREE BLADE**  
**(APPROXIMATE FREE AREA OF 40%)**

**PERFORMANCE DATA**  
 ALL VALUES ARE APPROXIMATE



PROJECT \_\_\_\_\_ CONTRACTOR \_\_\_\_\_  
 LOCATION \_\_\_\_\_ APPROVED BY \_\_\_\_\_  
 DATE \_\_\_\_\_ DATE APPROVED \_\_\_\_\_

**R & S SALES COMPANY, INC.**  
 3575 Old Conejo Road, NEWBURY PARK, CA 91320  
 PHONE 805-375-3980 FAX 805-375-3981