



MODEL MB1-LO-KINGSPAN 900 MODESTO PROFILE

METAL BUILDING ROOF CURB SPECIFICATIONS

SPECIFICATIONS:

FOR USE WITH KINGSPAN 900 MODESTO 39-3/8" ROOF PANEL

FABRICATED WITH 0.080" ALUMINUM

19" WIDE UPSLOPE FLANGE WITH INTEGRAL CRICKET

PITCHED TO PROVIDE A LEVEL TOP SURFACE WHERE SPECIFIED

8" MINIMUM CURB HEIGHT

1-1/2" WIDE TOP FLANGES

ALL WELDED CONSTRUCTION, CORNERS MITERED AND WELDED

UPSLOPE FLANGE WITH "OVER" CONTOURS

6" WIDE DOWNSLOPE WITH "OVER" CONTOURS

SIDE FLANGES LAP OVER ONE RIB BEYOND EACH SIDEWALL

1" RIGID R7.2 INSULATION

FINISH OPTIONS:

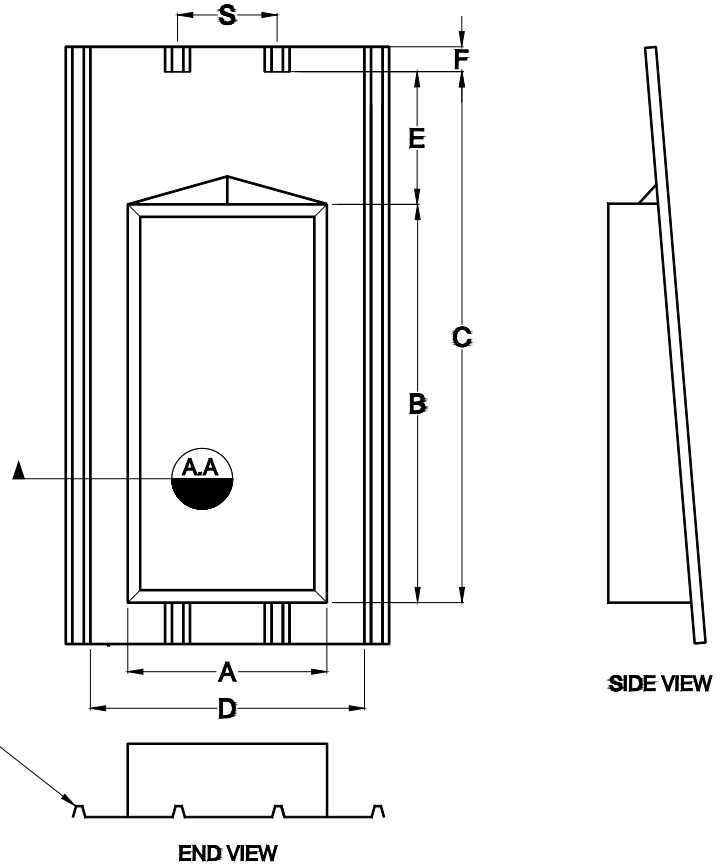
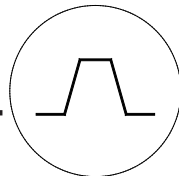
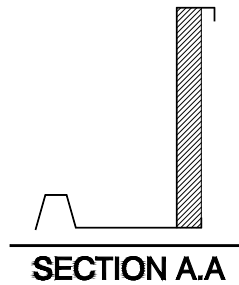
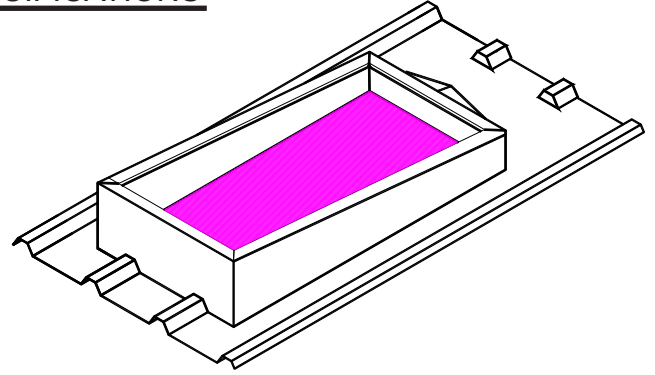
- POWDER COAT WHITE
- POWDER COAT CUSTOM COLOR _____
- KYNAR PAINT FINISH _____

CURB OPTIONS & ACCESSORIES:

- 0.125" ALUMINUM
- CUSTOM CURB HEIGHT
- DAMPER SHELF
- DUCT SUPPORTS
- INTERIOR INSULATION LINER
- EXTERIOR INSULATION LINER
- TOP FLANGE BROKEN OUT
- SPLICED CURB (2 PIECES)
- 2-1/2" WIDE MASTIC & POLYURETHANE SEALANT

EQUIPMENT & SPECIAL ACCESSORIES:

- EQUIPMENT ROOF CURB COVER
- SUB FRAMING AND C CHANNEL CLOSURES



CURB SCHEDULE

MARK	A	B	S	E	QTY.
PANEL THICKNESS:			ROOF PITCH:		

PROJECT: _____

CONTRACTOR: _____

LOCATION: _____

APPROVED BY: _____

DATE: _____

DATE APPROVED: _____

R & S MANUFACTURING AND SALES COMPANY, INC.

3575 Old Conejo Road, Newbury Park, CA 91320

Phone: 805-375-3980 Fax: 805-375-3981

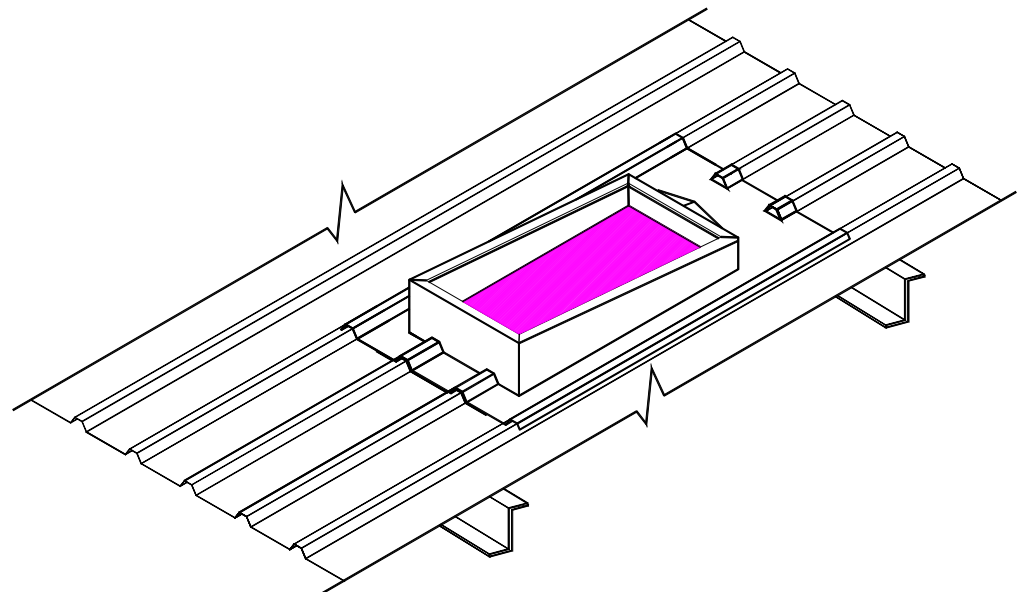
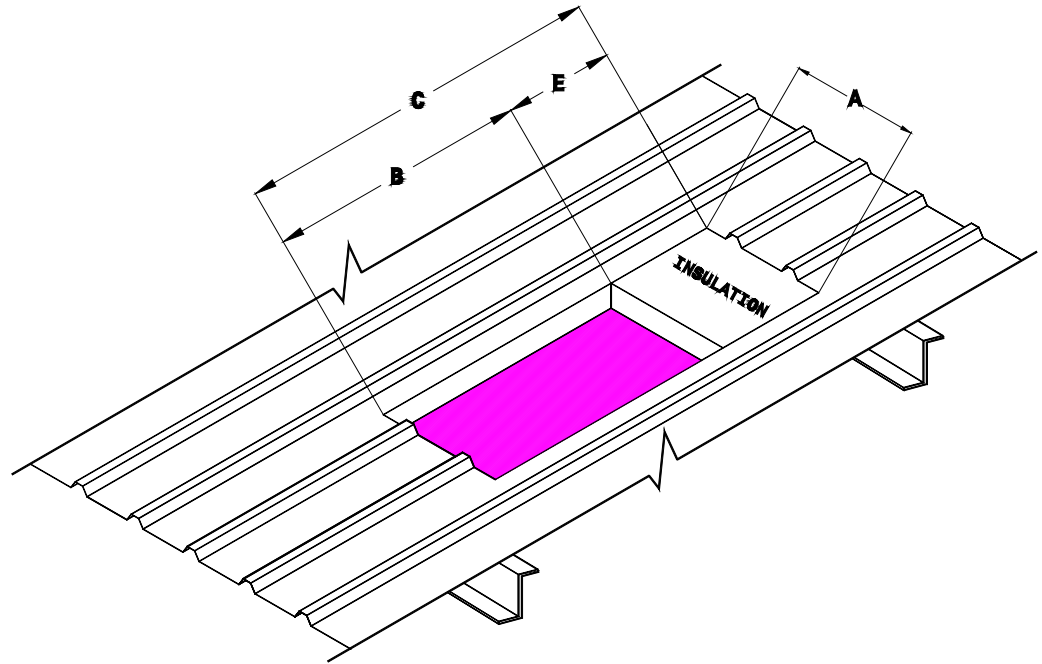


MODEL MB1-LO-KINGSPAN 900 MODESTO PROFILE

INSTALLATION DETAILS

INSTALLATION STEPS:

1. On a fully sheeted roof, mark centerline of roof opening using centerline between two major ribs as a guide. *DO NOT USE A LEAD PENCIL TO MARK ROOF.
2. Using the centerline as a reference, layout and mark curb dimensions "A" and "B".
3. Cut along marked layout lines "A" and "B" and remove roof panel cut.
4. Using centerline as a reference, layout and mark curb dimension "A" and "E". *See actual curb detail.
5. Cut along layout lines "E" and "A" to only remove exterior facing of insulated panel. *DO NOT REMOVE PANEL INSULATION OR PANEL INTERIOR FACING.
6. Install structural support framing for curb (and equipment) loads when required. Review sub-frame installation details.
7. Apply butyl mastic tape at perimeter edges of curb where flanges contact roof. *See section 1.1
8. Apply bead of polyurethane over butyl mastic tape and set curb into place.
9. Press perimeter edges of curb down over areas of previously applied butyl mastic tape and polyurethane to create a tight seal.
10. Using self-drilling fasteners with neoprene washers every 4" o.c. fasten curb to support structure at roof curb flanges. *See section 1.1 for fastener locations.
11. Using self-drilling fasteners with neoprene washers every 4" o.c. fasten roof curb to roof panel around perimeter including high ribs. *See section 1.1 for fastener locations.
12. When area is fully cleared of debris, caulk perimeter edge of curb flanges to roof panel with appropriate sealant.



R & S MANUFACTURING AND SALES COMPANY, INC.

3575 Old Conejo Road, Newbury Park, CA 91320

Phone: 805-375-3980 Fax: 805-375-3981

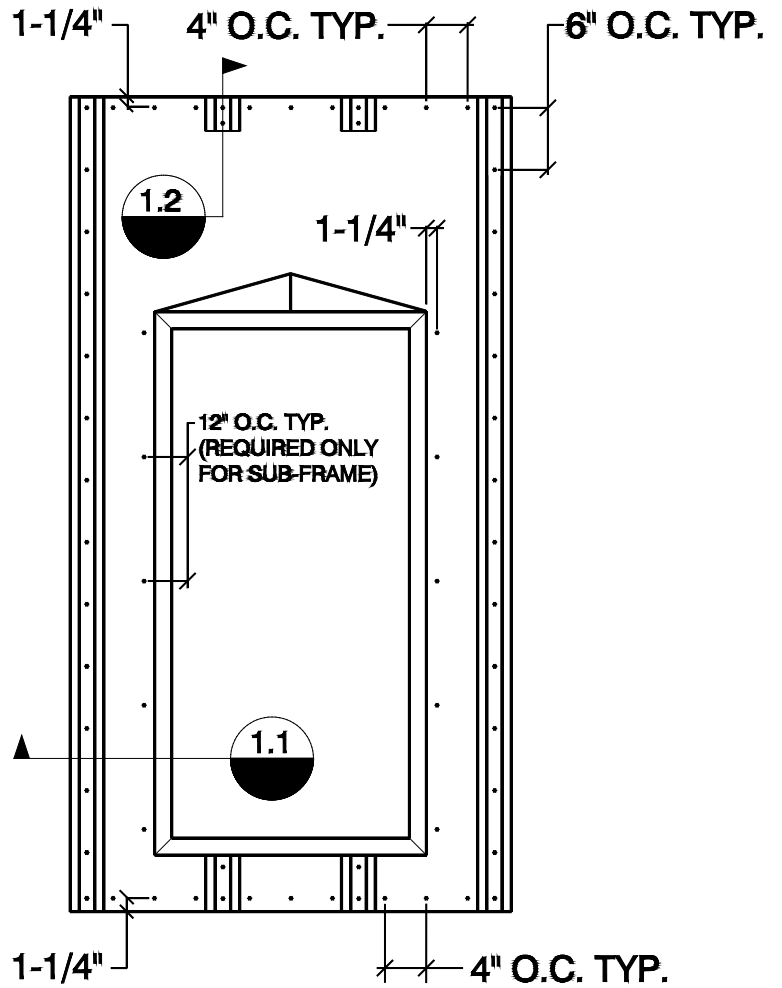


MODEL MB1-LO-KINGSPAN 900 MODESTO PROFILE

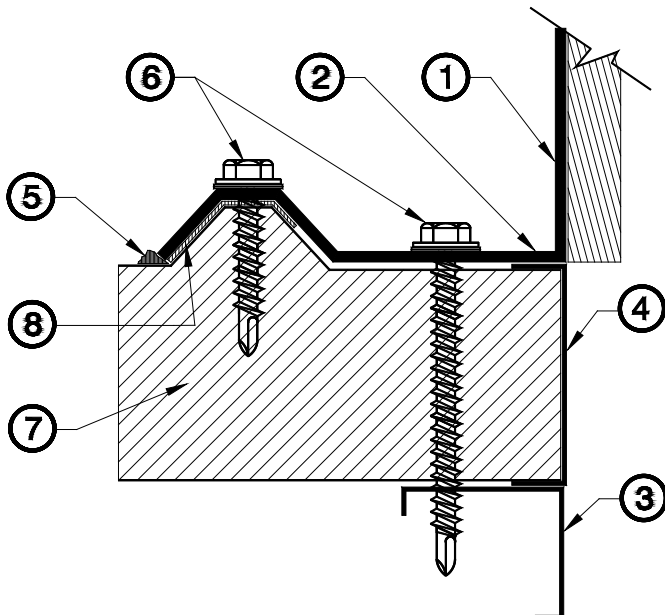
FASTENER INSTALLATION DETAILS

ROOF CURB SECTIONS:

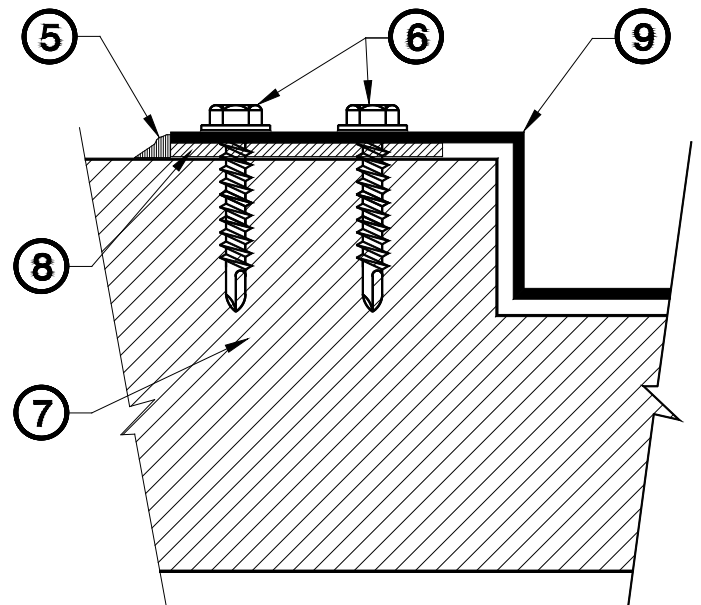
1. CURB WALL
2. CURB SIDE FLANGE
3. SUB-FRAME (IF REQUIRED)
4. C CHANNEL SUB-FRAME
5. SEALANT (EXPOSED)
6. FASTENERS
7. INSULATED ROOF PANEL
8. BUTYL MASTIC TAPE
(2-1/2" width x 3/16" thick.)
9. CURB CONTOUR



SECTION 1.1



SECTION 1.2



R & S MANUFACTURING AND SALES COMPANY, INC.

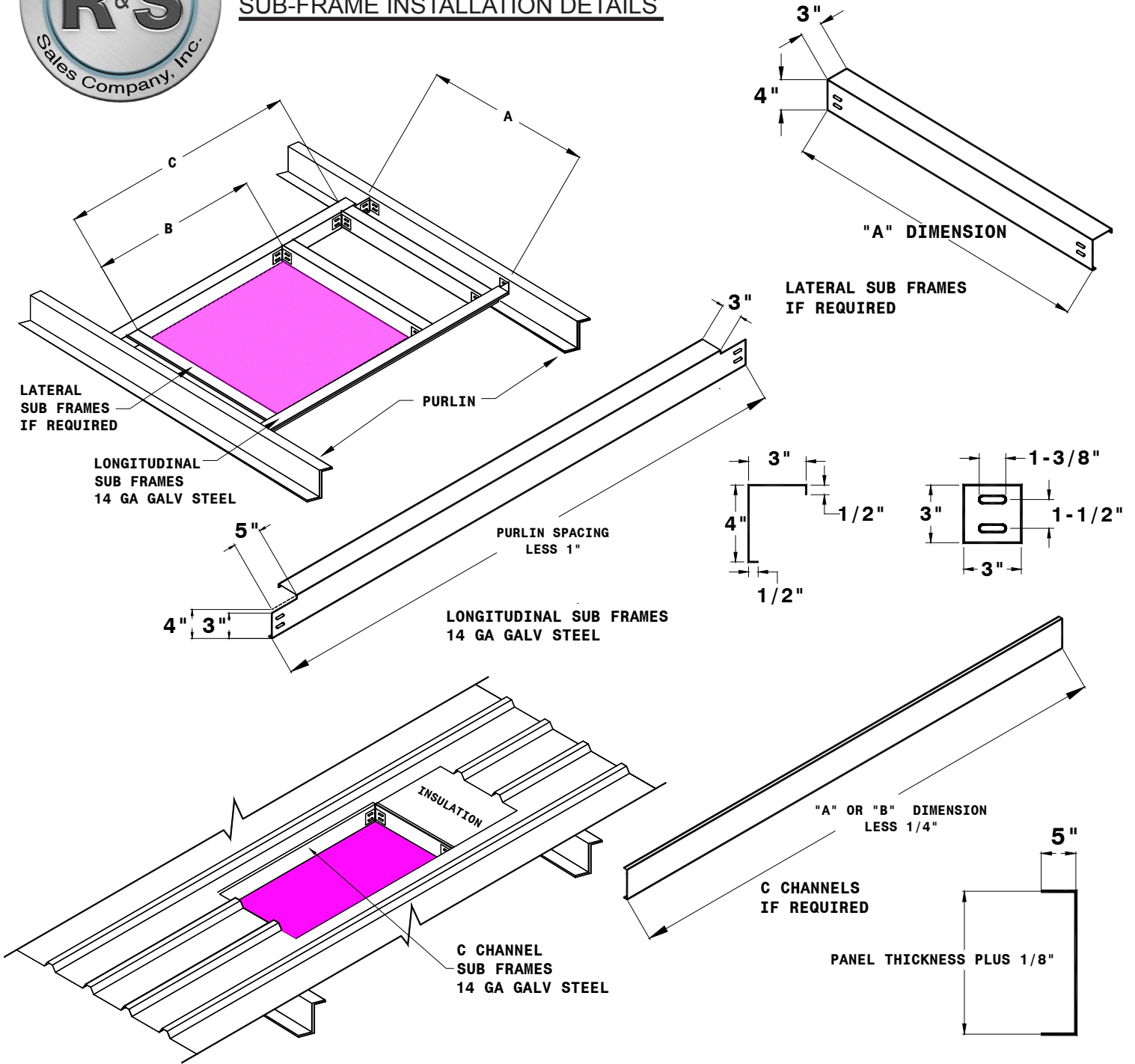
3575 Old Conejo Road, Newbury Park, CA 91320

Phone: 805-375-3980 Fax: 805-375-3981



MODEL MB1-LO-KINGSPAN 900 MODESTO PROFILE

SUB-FRAME INSTALLATION DETAILS



SUB-FRAME DIMENSIONS AND PARTS SCHEDULE

Item	Dim.	Item	Length	Qty.	Accessories	Qty.
Roof Panel Thickness:		Longitudinal Sub-Frame Length:			Sets of 3/8" x 1" Hex Head Cap Bolt, Washer and Nut:	
Roof Purlin Spacing:		Lateral Sub-Frame Length:			12 - 14 x 1-1/4" Tek Screw w/ Neoprene Washer:	
A Dimension:		Longitudinal C Channel Length:			12 - 14 x _____" Tek Screw w/ Neoprene Washer:	
B Dimension:		Lateral C Channel Length:			Cartons of 2-1/2" Wide Triple Bead Butyl Sealant:	
C Dimension:		Corner Angles:			Tubes of Polyurethane Sealant:	

R & S MANUFACTURING AND SALES COMPANY, INC.

3575 Old Conejo Road, Newbury Park, CA 91320

Phone: 805-375-3980 Fax: 805-375-3981