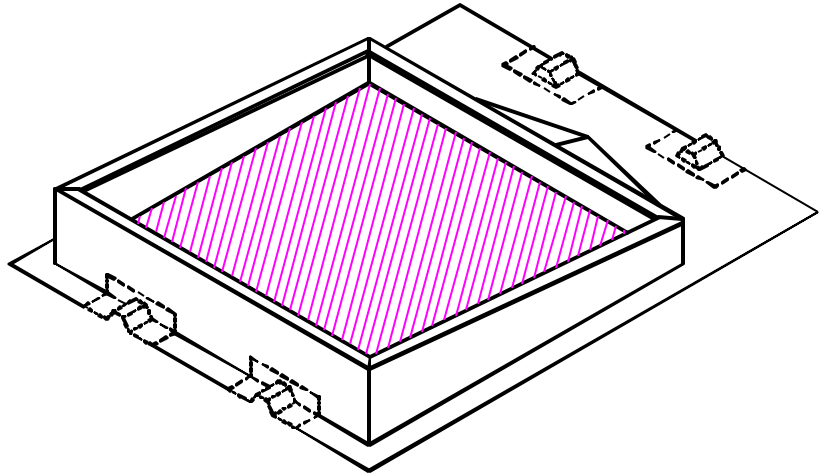


MODEL MB12 METAL BUILDING ROOF CURB

SPECIFICATIONS:

- 18 GAUGE ALUMINIZED STEEL
- PITCHED TO PROVIDE A LEVEL TOP SURFACE WHERE SPECIFIED
- 6" UPSLOPE CURB HEIGHT
- 1-1/2" WIDE TOP FLANGES
- ALL WELDED CONSTRUCTION
CORNERS MITERED AND WELDED
- UPSLOPE FLANGE FLAT WITH LOOSE "UNDER" CONTOURS AND A DIVERTER
- DOWNSLOPE WITH LOOSE "OVER" CONTOURS

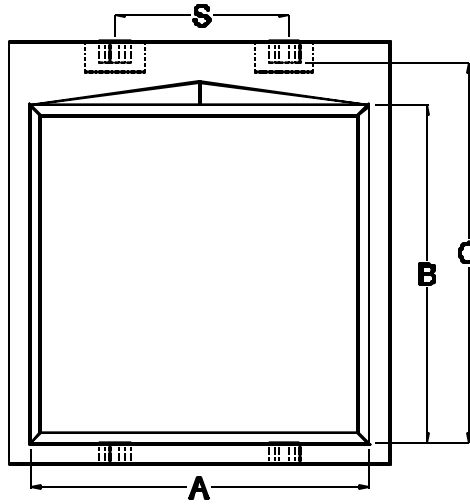


OPTIONS:

- 14 GAUGE ALUMINIZED STEEL
- 16 GAUGE ALUMINIZED STEEL
- 0.080" ALUMINUM
- POWDER COAT FINISH -
- WHITE
- CUSTOM COLOR
- SPECIAL HEIGHT
- DAMPER SHELF/DUCT SUPPORTS

WIDE FLANGES

- UPSLOPE
- SIDE
- DOWNSLOPE
- TOP COVER
- TOP FLANGE BROKEN OUT
- DIVERTER IN LIEU OF CRICKET
- SPLICED CURB (2 PIECES)
- SUB FRAMING
- 2-1/2" WIDE MASTIC



CURB SCHEDULE

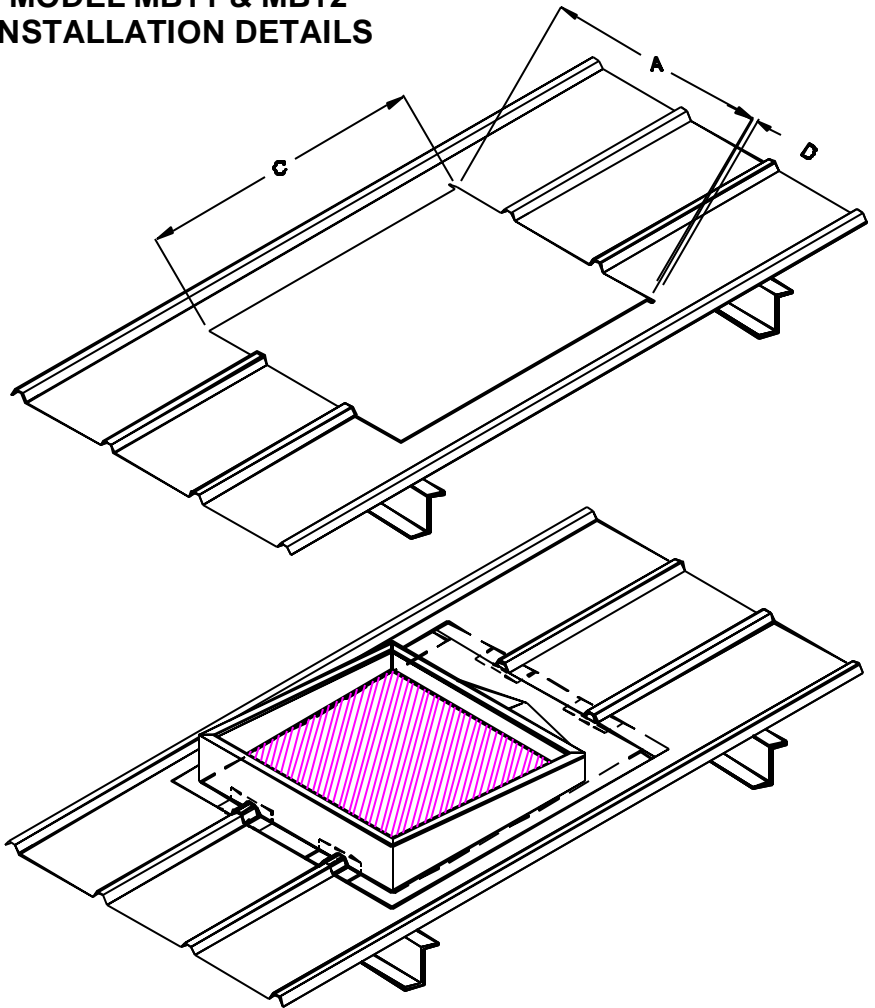
MARK	A	B	S	GA	QTY
ROOF PANEL MFG		PANEL MODEL		PITCH	

PROJECT _____
 LOCATION _____
 DATE _____

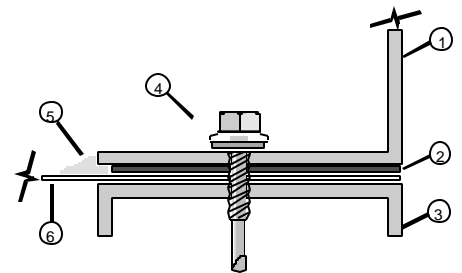
CONTRACTOR _____
 APPROVED BY _____
 DATE APPROVED _____

MODEL MB11 & MB12 INSTALLATION DETAILS

1. On a fully sheeted roof, mark centerline of roof opening.
2. Use centerline of opening as a guide and lay out roof opening to match the curb "A", "C", & "D" dimensions.
3. Cut roof opening per building manufacturer's recommendations. Slit upslope edges of rough opening ("D") for side flange clearance at transition point. Cut downslope flange openings where loose contours are to be placed.
4. Install structural support framing for curb and equipment loads. Keep inside dimension clear. A minimum of two parallel curb walls should be supported. Avoid cantilever sections in excess of 12".
5. Apply mastic or sealant tape at points where curb meets roof panel. Apply to roof panel at curb side, and downslope flanges. Apply to curb upslope flange. Use only accessories as recommended by the building manufacturer.
6. Press curb into place on the roof panel. Upslope flange goes under roof panel; sides and downslope over roof panel. Fasten and seal loose upslope contours where required.
7. Fasten the curb to support structure through curb flange and roof panel using fasteners compatible with the roof system. Use a minimum of four fasteners per side on maximum 4" centers.
8. Check tightness of fasteners and general integrity of installation. Caulk perimeter edge of curb flanges to roof panel.

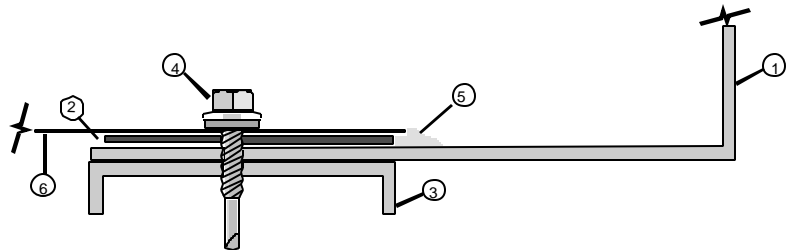


SIDE, & DOWNSLOPE SECTIONS



1. ROOF CURB WALL
2. TAPE MASTIC
3. SUPPORT FRAMING
4. COMPATIBLE FASTENER
5. SILICONE/URETHANE SEALANT
6. ROOF PANEL

UPSLOPE SECTION



R & S SALES COMPANY, INC.
3575 Old Conejo Road, NEWBURY PARK, CA 91320
PHONE 805-375-3980 FAX 805-375-3981