

MODEL MB7-AC-LO METAL BUILDING ROOF CURB

SPECIFICATIONS:

18 GAUGE ALUMINIZED STEEL

PITCHED TO PROVIDE A LEVEL TOP SURFACE WHERE SPECIFIED

8" MINIMUM CURB HEIGHT

DUCT SUPPORTS (WHEN REQUIRED)

TOP COVER (WHEN REQUIRED)

1-1/2" WIDE TOP FLANGES

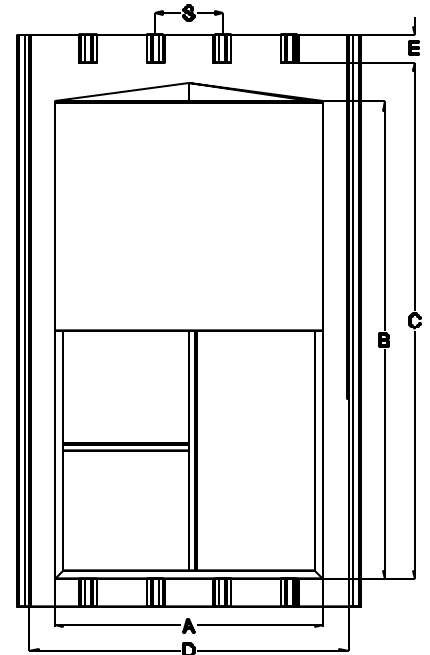
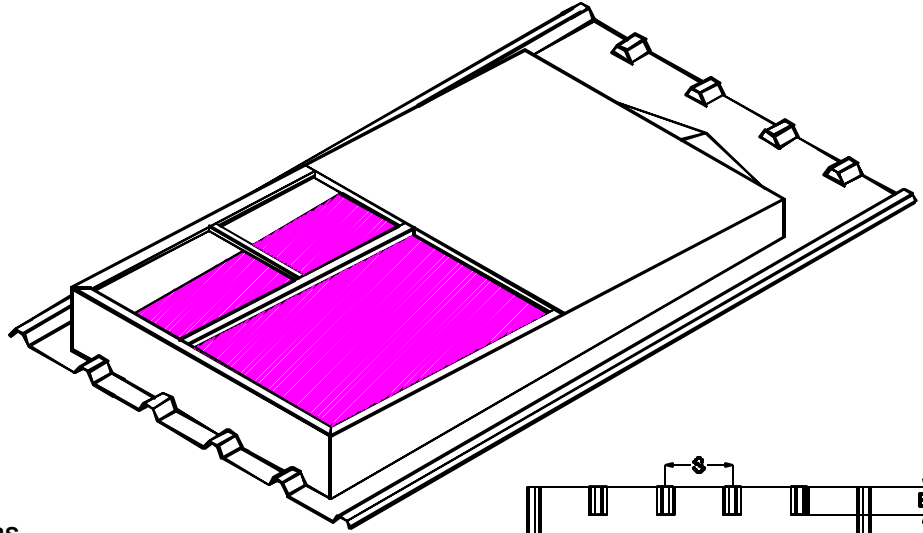
ALL WELDED CONSTRUCTION
CORNERS MITERED AND WELDED

UPSLOPE FLANGE WITH "UNDER" CONTOURS AND WATER DIVERTER

DOWNSLOPE WITH "OVER" CONTOURS

SIDE FLANGES LAP OVER ONE RIB BEYOND EACH SIDEWALL

1" RIGID R7.2 INSULATION



OPTIONS:

- 14 GAUGE ALUMINIZED STEEL
- 16 GAUGE ALUMINIZED STEEL
- 0.080" ALUMINUM

POWDER COAT FINISH -

- WHITE
- CUSTOM COLOR
- SPECIAL HEIGHT

INSIDE OR OUTSIDE INSULATION LINER

SPECIAL RIB PLACEMENT

WIDE FLANGES

- UPSLOPE
- DOWNSLOPE

TOP COVER

TOP FLANGE BROKEN OUT

SPLICED CURB (2 PIECES)

SUB FRAMING

2-1/2" WIDE MASTIC

CURB SCHEDULE

MARK	A	B	S	GA	QTY
ROOF PANEL MFG			PANEL MODEL		PITCH

PROJECT _____
 LOCATION _____
 DATE _____

CONTRACTOR _____
 APPROVED BY _____
 DATE APPROVED _____

R & S SALES COMPANY, INC.
 3575 Old Conejo Road, NEWBURY PARK, CA 91320
 PHONE 805-375-3980 FAX 805-375-3981

MODEL MB7-AC-LO & MB8-AC-LO INSTALLATION DETAILS

1. On a fully sheeted roof, mark centerline of roof opening.

2. Use centerline of major rib as a guide and lay out roof opening to match the curb "A", "C", "D", & "E" dimensions.

3. Cut roof opening per building manufacturer's recommendations. Slit upslope edges of rough opening ("E") for flange clearance at transition point.

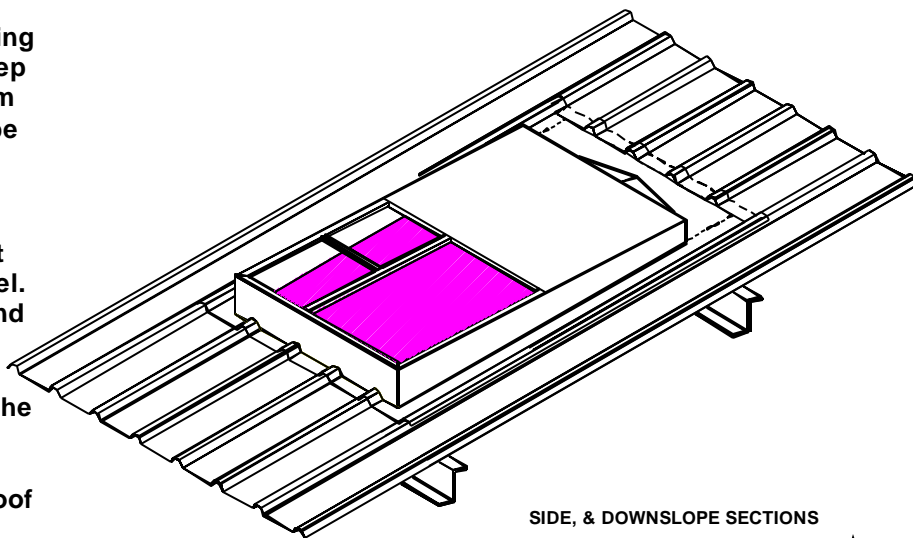
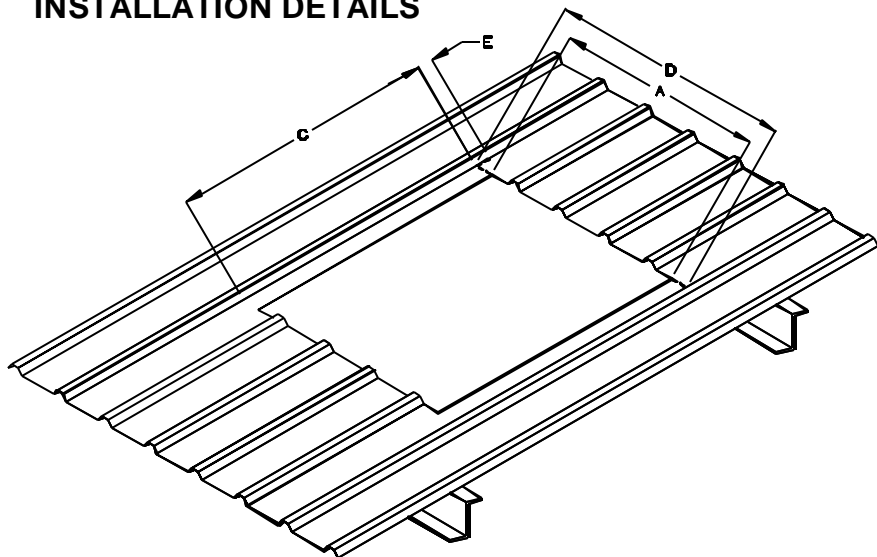
4. Install structural support framing for curb and equipment loads. Keep inside dimension clear. A minimum of two parallel curb walls should be supported. Avoid cantilever sections in excess of 12".

5. Apply mastic or sealant tape at points where curb meets roof panel. Apply to roof panel at curb side, and downslope flanges. Apply to curb upslope flange. Use only accessories as recommended by the building manufacturer.

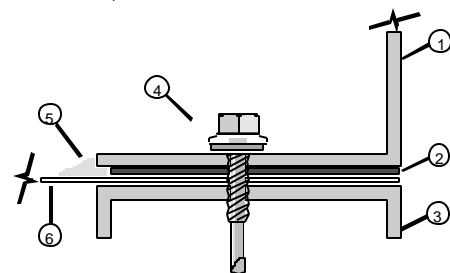
6. Press curb into place on the roof panel. Upslope flange goes under roof panel; sides and downslope over roof panel.

7. Fasten the curb to support structure through curb flange and roof panel using fasteners compatible with the roof system. Use a minimum of four fasteners per side on maximum 4" centers.

8. Check tightness of fasteners and general integrity of installation. Caulk perimeter edge of curb flanges to roof panel.

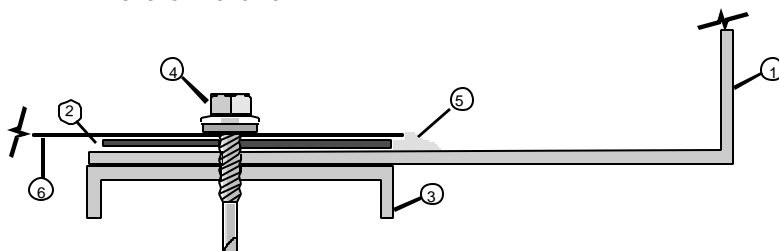


SIDE, & DOWNSLOPE SECTIONS



1. ROOF CURB WALL
2. TAPE MASTIC
3. SUPPORT FRAMING
4. COMPATIBLE FASTENER
5. SILICONE/URETHANE SEALANT
6. ROOF PANEL

UPSLOPE SECTION



R & S SALES COMPANY, INC.
3575 Old Conejo Road, NEWBURY PARK, CA 91320
PHONE 805-375-3980 FAX 805-375-3981