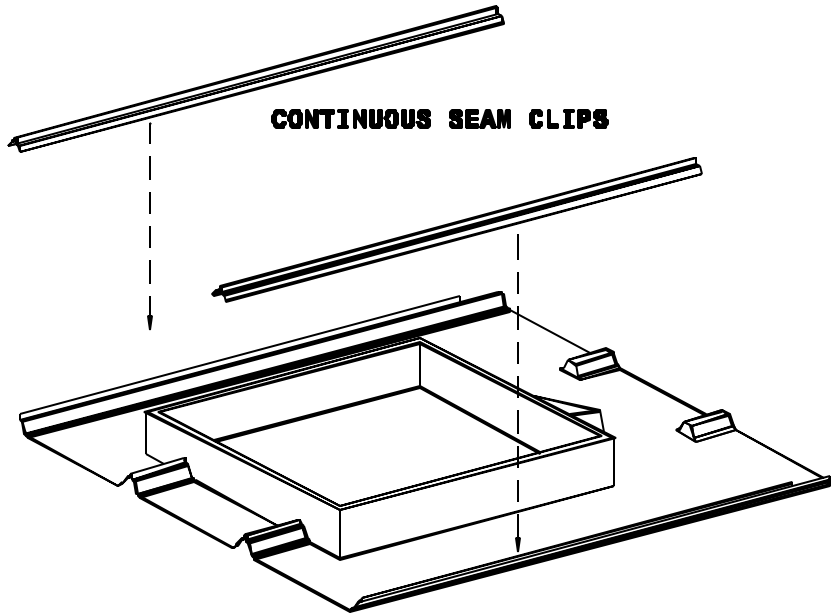


MODEL MB8-SC METAL BUILDING ROOF CURB

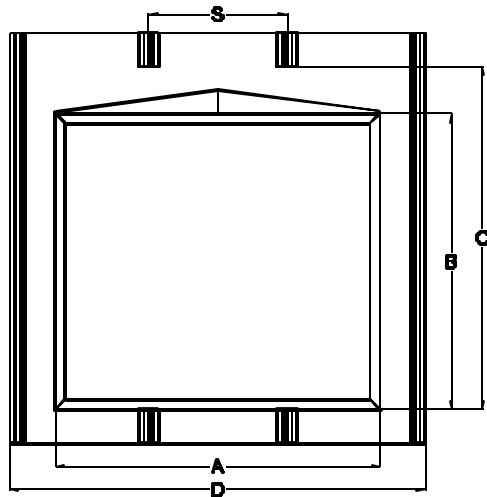
SPECIFICATIONS:

- 18 GAUGE ALUMINIZED STEEL
- PITCHED TO PROVIDE A LEVEL TOP SURFACE WHERE SPECIFIED
- 6" MINIMUM CURB HEIGHT
- 1-1/2" WIDE TOP FLANGES
- ALL WELDED CONSTRUCTION
CORNERS MITERED AND WELDED
- UPSLOPE FLANGE WITH "UNDER" CONTOURS AND WATER DIVERTER
- DOWNSLOPE WITH "OVER" CONTOURS
- SIDE FLANGES SEAM INTO ROOF PANEL
CONTINUOUS SEAM CLIPS SHIPPED LOOSE.



OPTIONS:

- 14 GAUGE ALUMINIZED STEEL
- 16 GAUGE ALUMINIZED STEEL
- 0.080" ALUMINUM
- POWDER COAT FINISH -
- WHITE
- CUSTOM COLOR
- SPECIAL HEIGHT
- DAMPER SHELF/DUCT SUPPORTS
- SPECIAL RIB PLACEMENT



WIDE FLANGES

- UPSLOPE
- DOWNSLOPE
- TOP COVER
- TOP FLANGE BROKEN OUT
- SPLICED CURB (2 PIECES)
- SUB FRAMING
- 2-1/2" WIDE MASTIC

CURB SCHEDULE

MARK	A	B	S	GA	QTY
ROOF PANEL MFG			PANEL MODEL		PITCH

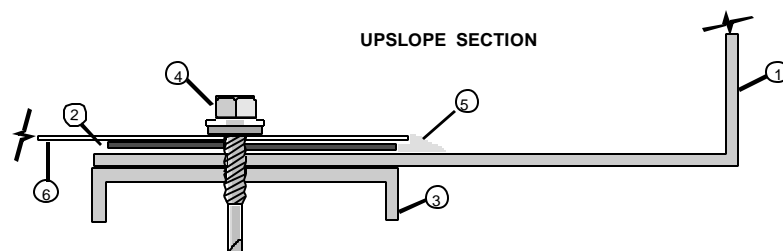
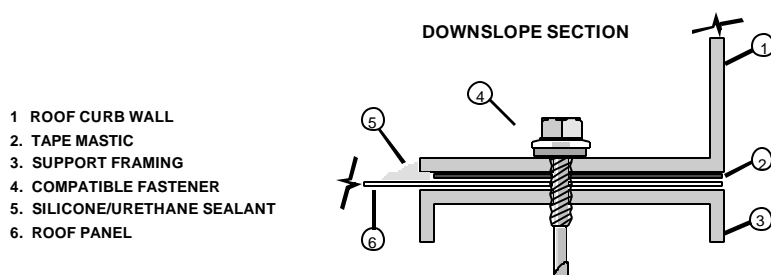
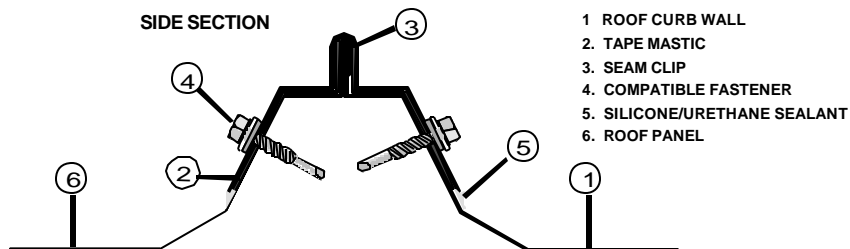
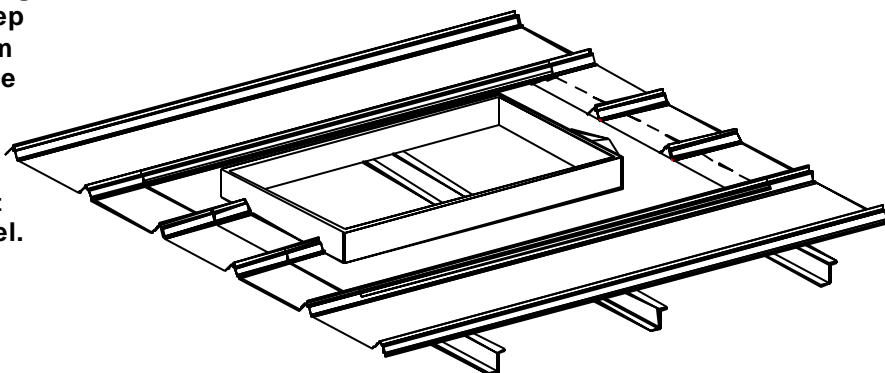
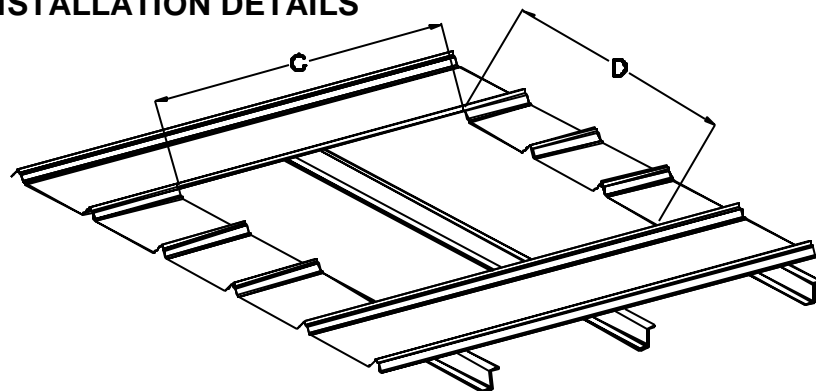
PROJECT _____
 LOCATION _____
 DATE _____

CONTRACTOR _____
 APPROVED BY _____
 DATE APPROVED _____

R & S SALES COMPANY, INC.
 3575 Old Conejo Road, NEWBURY PARK, CA 91320
 PHONE 805-375-3980 FAX 805-375-3981

MODEL MB7-SC & MB8-SC INSTALLATION DETAILS

1. On a fully sheeted roof, mark centerline of roof opening.
2. Use centerline of roof panel as a guide and lay out roof opening to match the curb "C" & "D" dimensions.
3. Cut roof opening per building manufacturer's recommendations.
4. Install structural support framing for curb and equipment loads. Keep inside dimension clear. A minimum of two parallel curb walls should be supported. Avoid cantilever sections in excess of 12".
5. Apply mastic or sealant tape at points where curb meets roof panel. Apply to roof panel at downslope flanges. Apply to curb upslope flange. Use only accessories as recommended by the building manufacturer.
6. Press curb into place on the roof panel. Upslope flange goes under roof panel; downslope over roof panel.
7. Fasten the curb to support structure through curb up and downslope flanges and roof panel using fasteners compatible with the roof system. Use a minimum of four fasteners per side on maximum 4" centers.
8. Crimp roof panel seams over or against vertical ends of curb side panels to provide clearance for seam clips. Apply mastic and sealants to sides where seam clips are placed. Fasten seam clips with a minimum of four fasteners per side on maximum 4" centers.
9. Check tightness of fasteners and general integrity of installation. Caulk perimeter edges of curb flanges to roof panel.



R & S SALES COMPANY, INC.
3575 Old Conejo Road, NEWBURY PARK, CA 91320
PHONE 805-375-3980 FAX 805-375-3981