

MODEL SFD-SC-MB8 ICBO LISTED METAL BUILDING SKYLIGHT

SPECIFICATIONS:

SINGLE DOME (MEDIUM WHITE)

METAL RETAINING CAP

CONDENSATE GUTTER

INTEGRAL 18 GAUGE NON-PITCHED ALUMINIZED STEEL SEAM CLIP CURB

6" UPSLOPE CURB HEIGHT

ALL WELDED CURB CONSTRUCTION
CORNERS WELDED

UPSLOPE FLANGE WITH "UNDER" CONTOURS AND A WATER DIVERTER

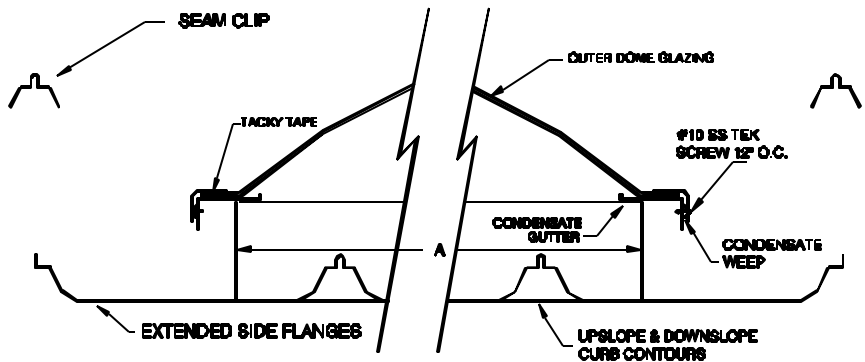
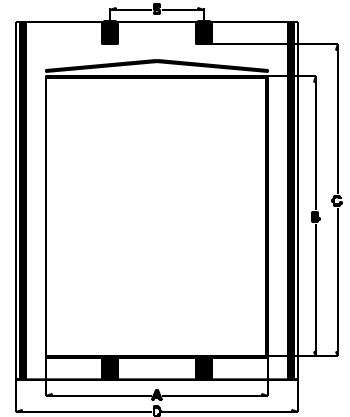
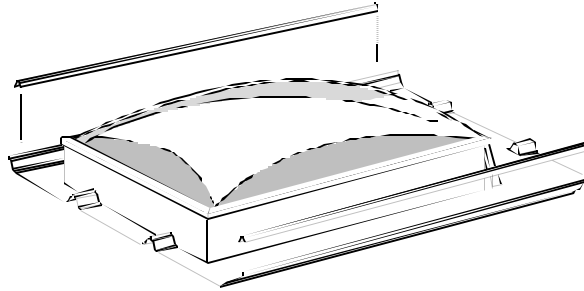
DOWNSLOPE WITH "OVER" CONTOURS

CONTINUOUS SEAM CLIPS

OPTIONS:

OUTER DOME GLAZING
___ COPOLYESTER ARCHED DOME

___ ICC LISTED



POWDER COAT FINISH (CURB ONLY) -
___ WHITE
___ CUSTOM COLOR

___ SPECIAL HEIGHT

___ SPECIAL RIB PLACEMENT

WIDE FLANGES
___ UPSLOPE
___ DOWNSLOPE

___ CRICKET IN LIEU OF DIVERTER

___ SUB FRAMING

___ 2-1/2" WIDE MASTIC

MODEL	INSIDE CURB DIM A	CURB DIM B	DIM C	DIM D	DIM E	QTY
SFD54102	48"	96"	105"	3"	111"	
SFD5252	46-1/4"	46-1/4"	55-1/4"	3"	61-1/4"	
SFD2828	22-1/4"	22-1/4"	28-1/4"	3"	34-1/4"	
SFD3636	30-1/4"	30-1/4"	36-1/4"	3"	42-1/4"	
SFD4242	36-1/4"	36-1/4"	45-1/4"	3"	51-1/4"	
SFD4252	36-1/4"	46-1/4"	55-1/4"	3"	61-1/4"	
SFD4276	36-1/4"	70-1/4"	79-1/4"	3"	85-1/4"	
SFD4364	37-1/4"	58-1/4"	67-1/4"	3"	73-1/4"	
SFD5276	46-1/4"	70-1/4"	79-1/4"	3"	85-1/4"	
SFD6464	58-1/4"	58-1/4"	67-1/4"	3"	73-1/4"	
SFD6476	58-1/4"	70-1/4"	79-1/4"	3"	85-1/4"	
SFD6496	58-1/4"	90-1/4"	99-1/4"	3"	105-1/4"	
SFD7676	70-1/4"	70-1/4"	79-1/4"	3"	85-1/4"	
SFD7696	70-1/4"	90-1/4"	99-1/4"	3"	105-1/4"	
SFD9696	90-1/4"	90-1/4"	99-1/4"	3"	105-1/4"	

ROOF PANEL MANUFACTURER	PANEL MODEL

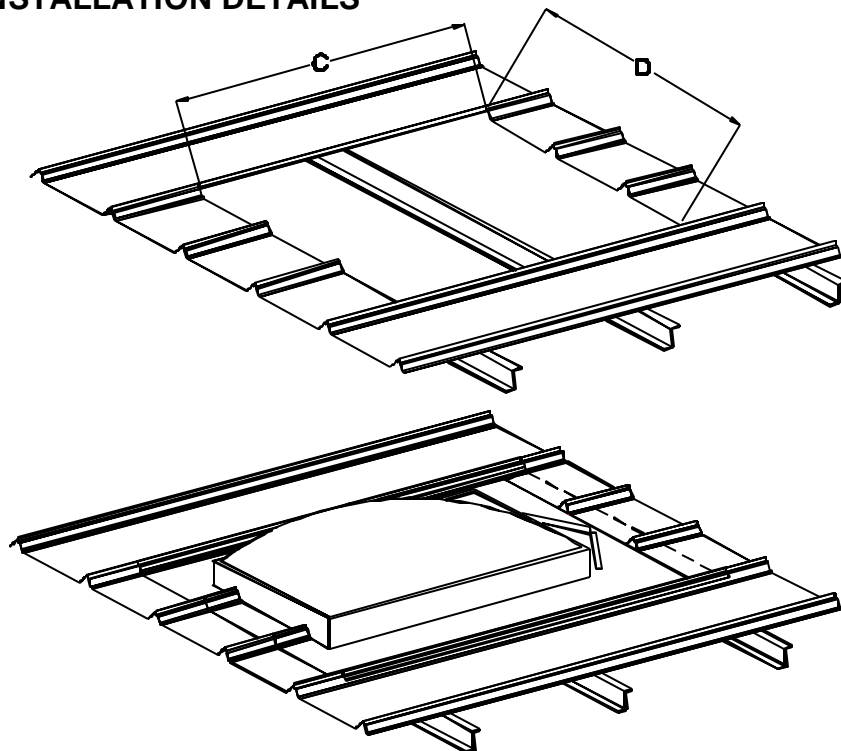
PROJECT _____
LOCATION _____
DATE _____

CONTRACTOR _____
APPROVED BY _____
DATE APPROVED _____

R & S SALES COMPANY, INC.
3575 Old Conejo Road, NEWBURY PARK, CA 91320
PHONE 805-375-3980 FAX 805-375-3981

MODEL SFDD-SC-MB7 & SFD-SC-MB8 INSTALLATION DETAILS

1. On a fully sheeted roof, mark centerline of roof opening.
2. Use centerline of roof panel as a guide and lay out roof opening to match the curb "C" & "D" dimensions.
3. Cut roof opening per building manufacturer's recommendations.
4. Install structural support framing for curb and equipment loads. Keep inside dimension clear. A minimum of two parallel curb walls should be supported. Avoid cantilever sections in excess of 12".
5. Apply mastic or sealant tape at points where curb meets roof panel. Apply to roof panel at downslope flanges. Apply to curb upslope flange. Use only accessories as recommended by the building manufacturer.

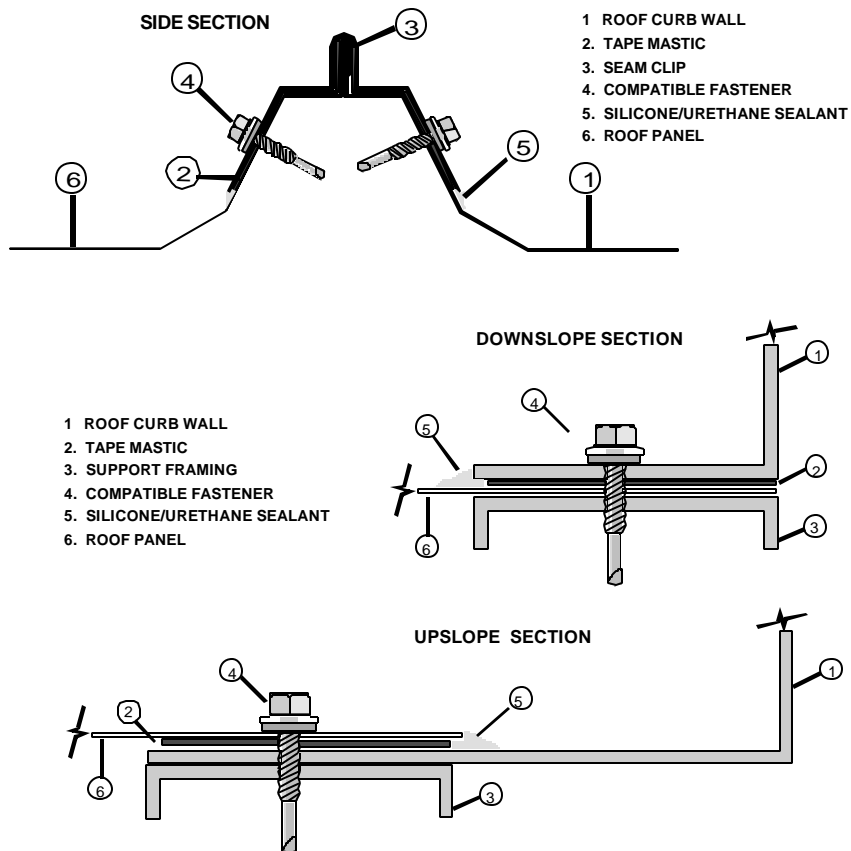


6. Press curb into place on the roof panel. Upslope flange goes under roof panel; downslope over roof panel.

7. Fasten the curb to support structure through curb up and downslope flanges and roof panel using fasteners compatible with the roof system. Use a minimum of four fasteners per side on maximum 4" centers.

8. Crimp roof panel seams over or against vertical ends of curb side panels to provide clearance for seam clips. Apply mastic and sealants to sides where seam clips are placed. Fasten seam clips with a minimum of four fasteners per side on maximum 4" centers.

Check tightness of fasteners and general integrity of installation. Caulk perimeter edges of curb flanges to roof panel.



R & S SALES COMPANY, INC.

3575 Old Conejo Road, NEWBURY PARK, CA 91320
PHONE 805-375-3980 FAX 805-375-3981