

MODEL SFD-MB8 METAL BUILDING SKYLIGHT

SPECIFICATIONS:

SINGLE DOME (MEDIUM WHITE)

METAL RETAINING CAP

CONDENSATE GUTTER

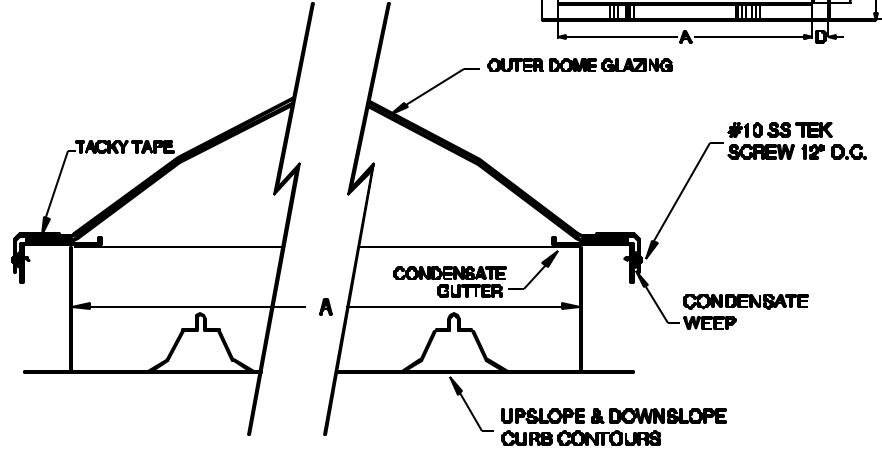
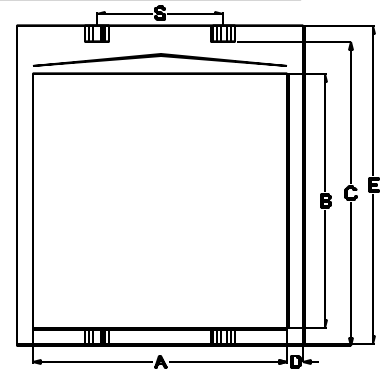
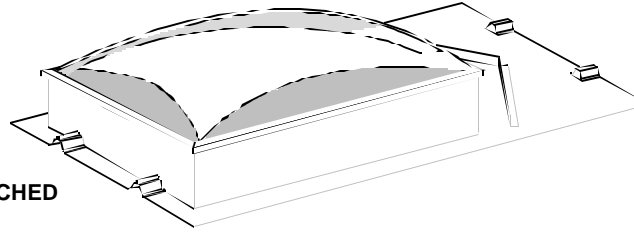
INTEGRAL 18 GAUGE NON-PITCHED ALUMINIZED STEEL MB CURB

6" UPSLOPE CURB HEIGHT

ALL WELDED CURB CONSTRUCTION
CORNERS WELDED

UPSLOPE FLANGE WITH "UNDER" CONTOURS AND A WATER DIVERTER

DOWNSLOPE WITH "OVER" CONTOURS



OPTIONS:

OUTER DOME GLAZING
 COPOLYESTER ARCHED DOME

ICC LISTED

POWDER COAT FINISH (CURB ONLY) -
 WHITE
 CUSTOM COLOR

SPECIAL HEIGHT

SPECIAL RIB PLACEMENT

WIDE FLANGES
 UPSLOPE
 SIDE
 DOWNSLOPE

CRICKET IN LIEU OF DIVERTER

SUB FRAMING

2-1/2" WIDE MASTIC

MODEL	INSIDE CURB DIM A	CURB DIM B	DIM C	DIM D	DIM E	QTY
SFD54102	48"	96"	105"	3"	111"	
SFD5252	46-1/4"	46-1/4"	55-1/4"	3"	61-1/4"	
SFD2828	22-1/4"	22-1/4"	28-1/4"	3"	34-1/4"	
SFD3636	30-1/4"	30-1/4"	36-1/4"	3"	42-1/4"	
SFD4242	36-1/4"	36-1/4"	45-1/4"	3"	51-1/4"	
SFD4252	36-1/4"	46-1/4"	55-1/4"	3"	61-1/4"	
SFD4276	36-1/4"	70-1/4"	79-1/4"	3"	85-1/4"	
SFD4364	37-1/4"	58-1/4"	67-1/4"	3"	73-1/4"	
SFD5276	46-1/4"	70-1/4"	79-1/4"	3"	85-1/4"	
SFD6464	58-1/4"	58-1/4"	67-1/4"	3"	73-1/4"	
SFD6476	58-1/4"	70-1/4"	79-1/4"	3"	85-1/4"	
SFD6496	58-1/4"	90-1/4"	99-1/4"	3"	105-1/4"	
SFD7676	70-1/4"	70-1/4"	79-1/4"	3"	85-1/4"	
SFD7696	70-1/4"	90-1/4"	99-1/4"	3"	105-1/4"	
SFD9696	90-1/4"	90-1/4"	99-1/4"	3"	105-1/4"	

ROOF PANEL MANUFACTURER	PANEL MODEL

PROJECT _____
LOCATION _____
DATE _____

CONTRACTOR _____
APPROVED BY _____
DATE APPROVED _____

R & S SALES COMPANY, INC.
3575 Old Conejo Road, NEWBURY PARK, CA 91320
PHONE 805-375-3980 FAX 805-375-3981

MODEL SFDD-MB7 & SFD-MB8 INSTALLATION DETAILS

1. On a fully sheeted roof, mark centerline of roof opening.

2. Use centerline of major rib as a guide and lay out roof opening to match the curb "A", "C", & "D" dimensions.

3. Cut roof opening per building manufacturer's recommendations. Slit upslope edges of rough opening ("D") for side flange clearance at transition point.

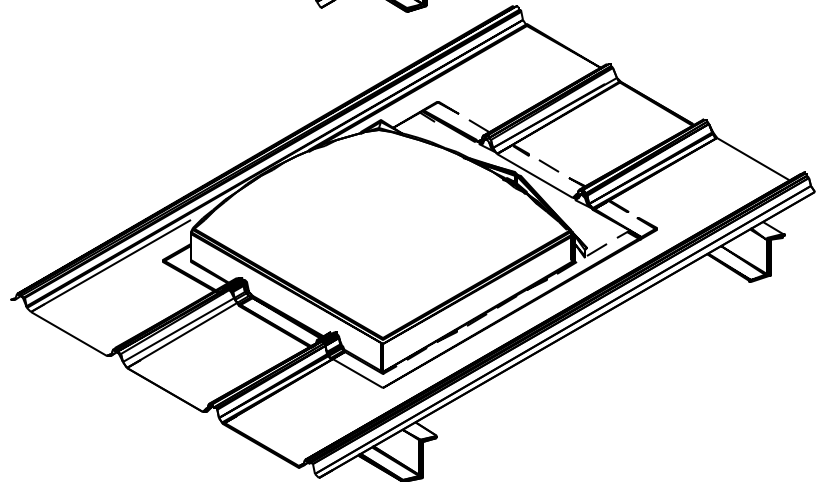
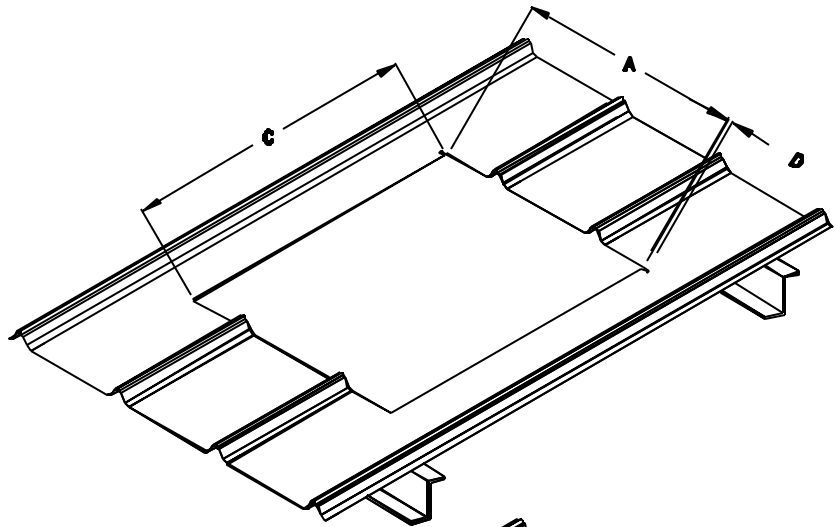
4. Install structural support framing for curb and equipment loads. Keep inside dimension clear. A minimum of two parallel curb walls should be supported. Avoid cantilever sections in excess of 12".

5. Apply mastic or sealant tape at points where curb meets roof panel. Apply to roof panel at curb side, and downslope flanges. Apply to curb upslope flange. Use only accessories as recommended by the building manufacturer.

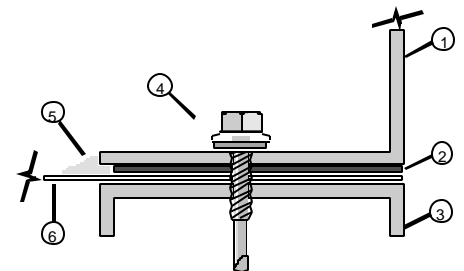
6. Press curb into place on the roof panel. Upslope flange goes under roof panel; sides and downslope over roof panel.

7. Fasten the curb to support structure through curb flange and roof panel using fasteners compatible with the roof system. Use a minimum of four fasteners per side on maximum 4" centers.

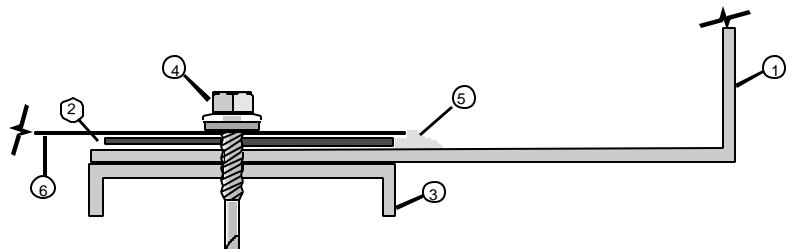
8. Check tightness of fasteners and general integrity of installation. Caulk perimeter edge of curb flanges to roof panel.



SIDE, & DOWNSLOPE SECTIONS



UPSLOPE SECTION



- 1. ROOF CURB WALL
- 2. TAPE MASTIC
- 3. SUPPORT FRAMING
- 4. COMPATIBLE FASTENER
- 5. SILICONE/URETHANE SEALANT
- 6. ROOF PANEL

R & S SALES COMPANY, INC.

3575 Old Conejo Road, NEWBURY PARK, CA 91320
PHONE 805-375-3980 FAX 805-375-3981