

# MODEL SFDD-MB1-IF METAL BUILDING SKYLIGHT

**SPECIFICATIONS:**

DOUBLE DOMES (MEDIUM WHITE OVER CLEAR)

METAL RETAINING CAP

CONDENSATE GUTTER

INTEGRAL 18 GAUGE NON-PITCHED ALUMINIZED STEEL MB CURB

6" UPSLOPE CURB HEIGHT

ALL WELDED CURB CONSTRUCTION  
CORNERS WELDED

UPSLOPE DIVERTER ANGLE & HOOD

INCLUDES SIDE & REAR CHANNELS,  
DIVERTER PLATE & 14 GA SUB FRAMING

DOWNSLOPE WITH "OVER" CONTOURS

1" RIGID R7.2 INSULATION

**OPTIONS:**

OUTER DOME GLAZING  
 COPOLYESTER ARCHED DOME

INNER DOME GLAZING  
 CLEAR

ICC LISTED

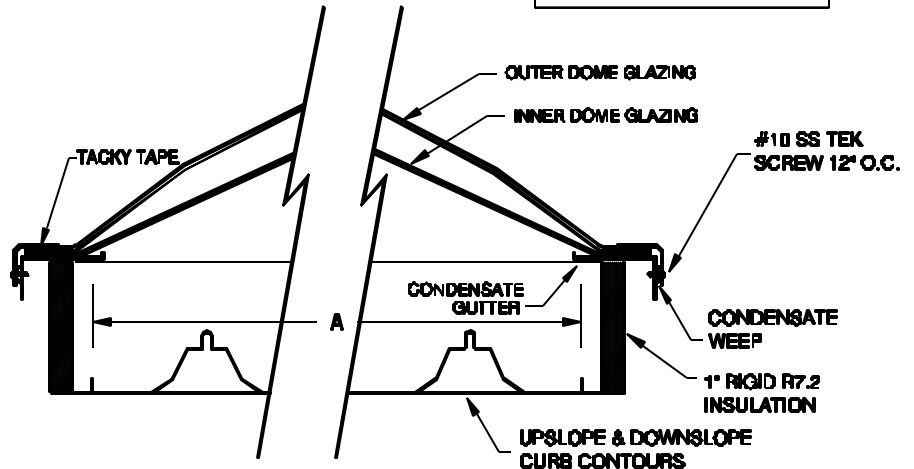
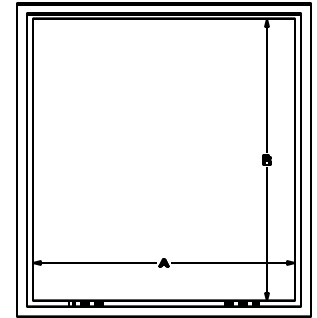
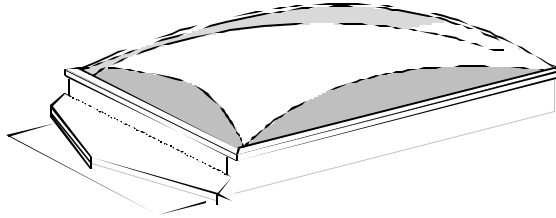
POWDER COAT FINISH (CURB ONLY) -  
 WHITE  
 CUSTOM COLOR

SPECIAL HEIGHT

SPECIAL RIB PLACEMENT

OPERABLE WITH SCREEN  
 HAND CRANK  
 MOTORIZED

2-1/2" WIDE MASTIC



MODEL	DOME DIM		DIM A	DIM B	QTY
SFDD54102	48"	96"	47-1/4"	95-1/4"	
SFDD5252	46-1/4"	46-1/4"	47-1/4"	47-1/4"	
SFDD2828	22-1/4"	22-1/4"	21-1/2"	21-1/2"	
SFDD3636	30-1/4"	30-1/4"	29-1/2"	20-1/2"	
SFDD4242	36-1/4"	36-1/4"	35-1/2"	35-1/2"	
SFDD4252	36-1/4"	46-1/4"	35-1/2"	45-1/2"	
SFDD4276	36-1/4"	70-1/4"	35-1/2"	69-1/2"	
SFDD4364	37-1/4"	58-1/4"	36-1/2"	57-1/2"	
SFDD5276	46-1/4"	70-1/4"	45-1/2"	69-1/2"	
SFDD6464	58-1/4"	58-1/4"	57-1/2"	57-1/2"	
SFDD6476	58-1/4"	70-1/4"	57-1/2"	69-1/2"	
SFDD6496	58-1/4"	90-1/4"	57-1/2"	89-1/2"	
SFDD7676	70-1/4"	70-1/4"	69-1/2"	69-1/2"	
SFDD7696	70-1/4"	90-1/4"	69-1/2"	89-1/2"	
SFDD9696	90-1/4"	90-1/4"	89-1/2"	89-1/2"	

ROOF PANEL MANUFACTURER	PANEL MODEL

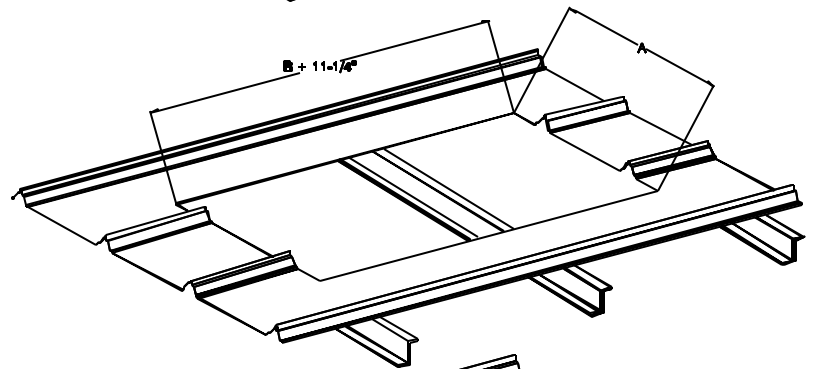
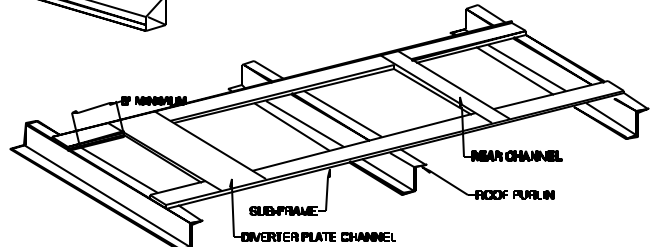
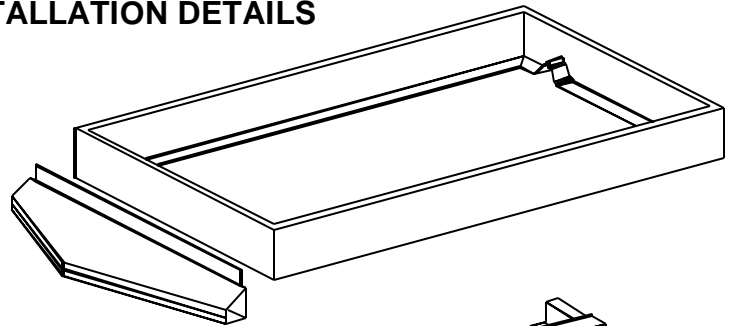
PROJECT \_\_\_\_\_  
 LOCATION \_\_\_\_\_  
 DATE \_\_\_\_\_

CONTRACTOR \_\_\_\_\_  
 APPROVED BY \_\_\_\_\_  
 DATE APPROVED \_\_\_\_\_

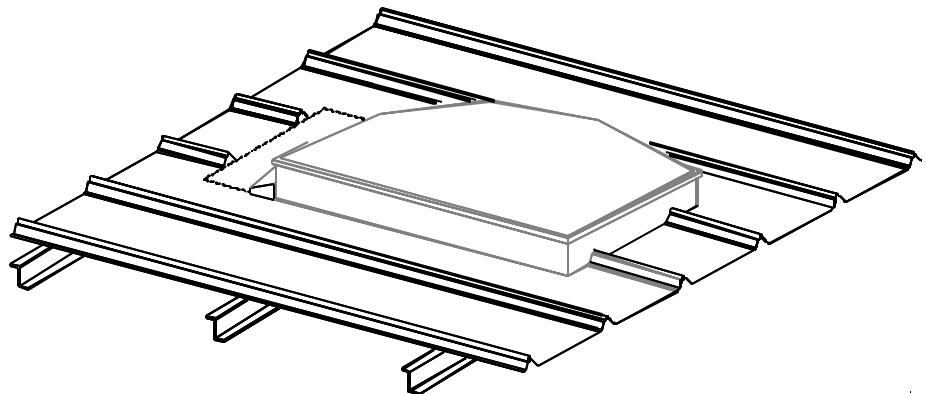
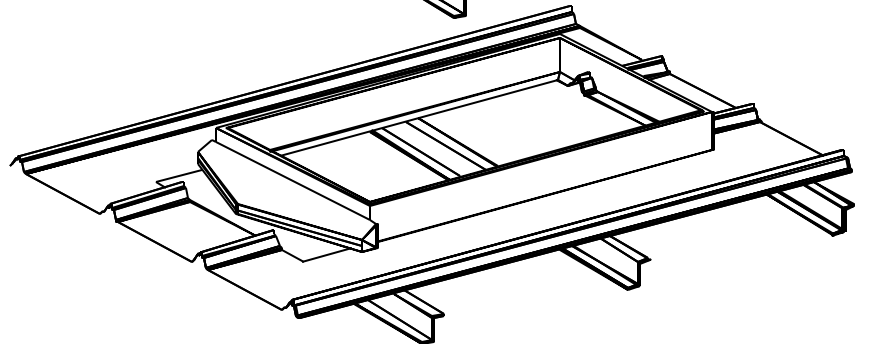
**R & S SALES COMPANY, INC.**  
 3575 Old Conejo Road, NEWBURY PARK, CA 91320  
 PHONE 805-375-3980 FAX 805-375-3981

## MODEL MB1-IF & MB2-IF INSTALLATION DETAILS

1. If top access is required, remove top light assembly.
2. On a fully sheeted roof, locate & mark centerline of roof opening. Place curb over panels and use inside edge as a template to mark roof opening. Add 11-1/4" to the upslope inner edge and maintain at least 6" from the centerline of the roof panel attachment clips. Cut roof opening per manufacturer's recommended procedure. Install side and rear support channels by positioning them between the roof structure and roof panel. Locate the edge of the roof panel on the diverter plate, and mark 2-1/2" from the upslope edge. Apply tape mastic (minimum 1-1/2") along the line on the diverter plate. Mark the edge of the roof opening on the diverter plate and place mastic on each side with 1/4" exposed to the inside edge. Do not lap mastic. Apply a gun grade polyurethane sealant at each corner. Locate the upslope closure plugs and install with bolts. Apply a gun grade polyurethane sealant over the mastic and closure plugs. Install the diverter plate between the side channels and roof panel.



3. Apply mastic around curb opening with butt joints and a gun grade polyurethane sealant over the mastic. Align the curb edges over the opening and place the curb over the roof opening. Secure the curb to the roof panel using C clamps. Fasten with stainless steel self drilling fasteners 6" on center.
4. Apply tape mastic around the edge of the diverter angle bottom and gun grade polyurethane sealant to the outer edge of the curb front corners and along the junction of the roof panel, curb, and diverter plate. Attach the diverter plate with stainless steel self drilling fasteners and secure the roof panel to the diverter plate 2" on center 3/4" from the panel edge. Install the diverter angle cover. Apply gun grade polyurethane sealant to the downslope contours and curb perimeter as required.



5. Replace skylight domes.

**R & S SALES COMPANY, INC.**  
3575 Old Conejo Road, NEWBURY PARK, CA 91320  
PHONE 805-375-3980 FAX 805-375-3981