

MODEL SFDD-SC-MB7 METAL BUILDING SKYLIGHT

SPECIFICATIONS:

DOUBLE DOME (MEDIUM
WHITE OVER CLEAR)

METAL RETAINING CAP

CONDENSATE GUTTER

INSULATED 18 GAUGE NON-PITCHED
ALUMINIZED STEEL SEAM CLIP CURB

6" UPSLOPE CURB HEIGHT

ALL WELDED CURB CONSTRUCTION
CORNERS WELDED

UPSLOPE FLANGE WITH "UNDER"
CONTOURS AND A WATER DIVERTER

DOWNSLOPE WITH "OVER" CONTOURS

CONTINUOUS SEAM CLIPS

OPTIONS:

OUTER DOME GLAZING
 COPOLYESTER ARCHED DOME

INNER DOME GLAZING
 CLEAR

ICC LISTED

POWDER COAT FINISH (CURB ONLY) -
 WHITE
 CUSTOM COLOR

SPECIAL HEIGHT

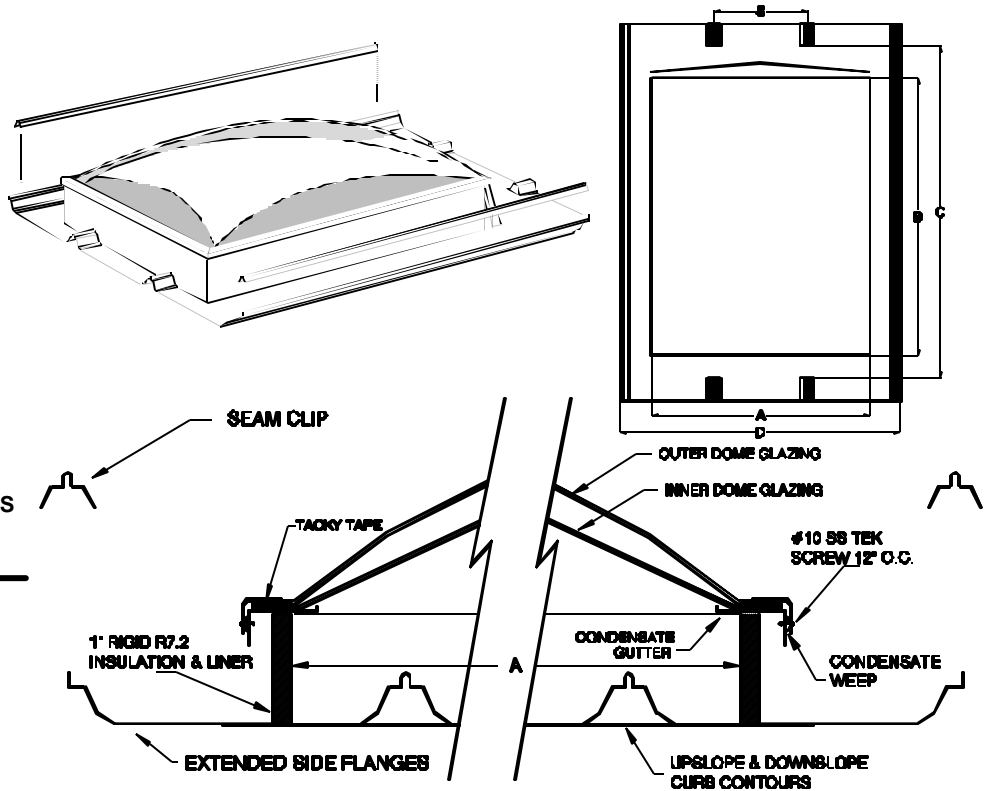
SPECIAL RIB PLACEMENT

WIDE FLANGES
 UPSLOPE
 DOWNSLOPE

CRICKET IN LIEU OF DIVERTER

SUB FRAMING

2-1/2" WIDE MASTIC



MODEL	INSIDE CURB DIM A	CURB DIM B	DIM C	DIM D	DIM E	QTY
SFDD54102	48"	96"	105"	3"	111"	
SFDD5252	46-1/4"	46-1/4"	55-1/4"	3"	61-1/4"	
SFDD2828	22-1/4"	22-1/4"	28-1/4"	3"	34-1/4"	
SFDD3636	30-1/4"	30-1/4"	36-1/4"	3"	42-1/4"	
SFDD4242	36-1/4"	36-1/4"	45-1/4"	3"	51-1/4"	
SFDD4252	36-1/4"	46-1/4"	55-1/4"	3"	61-1/4"	
SFDD4276	36-1/4"	70-1/4"	79-1/4"	3"	85-1/4"	
SFDD4364	37-1/4"	58-1/4"	67-1/4"	3"	73-1/4"	
SFDD5276	46-1/4"	70-1/4"	79-1/4"	3"	85-1/4"	
SFDD6464	58-1/4"	58-1/4"	67-1/4"	3"	73-1/4"	
SFDD6476	58-1/4"	70-1/4"	79-1/4"	3"	85-1/4"	
SFDD6496	58-1/4"	90-1/4"	99-1/4"	3"	105-1/4"	
SFDD7676	70-1/4"	70-1/4"	79-1/4"	3"	85-1/4"	
SFDD7696	70-1/4"	90-1/4"	99-1/4"	3"	105-1/4"	
SFDD9696	90-1/4"	90-1/4"	99-1/4"	3"	105-1/4"	

ROOF PANEL MANUFACTURER	PANEL MODEL

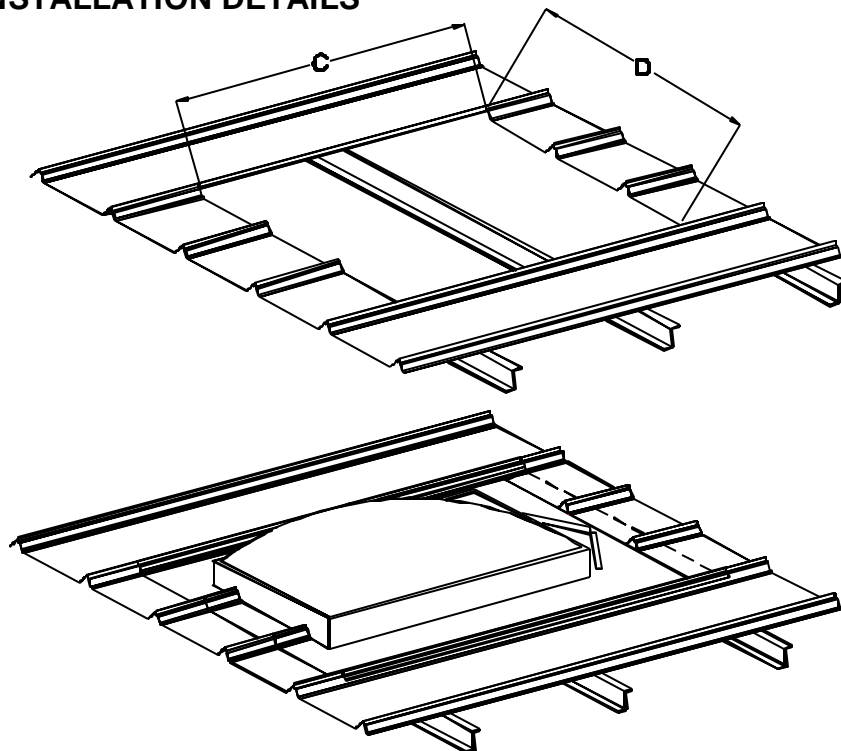
PROJECT _____
 LOCATION _____
 DATE _____

CONTRACTOR _____
 APPROVED BY _____
 DATE APPROVED _____

R & S SALES COMPANY, INC.
 3575 Old Conejo Road, NEWBURY PARK, CA 91320
 PHONE 805-375-3980 FAX 805-375-3981

MODEL SFDD-SC-MB7 & SFD-SC-MB8 INSTALLATION DETAILS

1. On a fully sheeted roof, mark centerline of roof opening.
2. Use centerline of roof panel as a guide and lay out roof opening to match the curb "C" & "D" dimensions.
3. Cut roof opening per building manufacturer's recommendations.
4. Install structural support framing for curb and equipment loads. Keep inside dimension clear. A minimum of two parallel curb walls should be supported. Avoid cantilever sections in excess of 12".
5. Apply mastic or sealant tape at points where curb meets roof panel. Apply to roof panel at downslope flanges. Apply to curb upslope flange. Use only accessories as recommended by the building manufacturer.

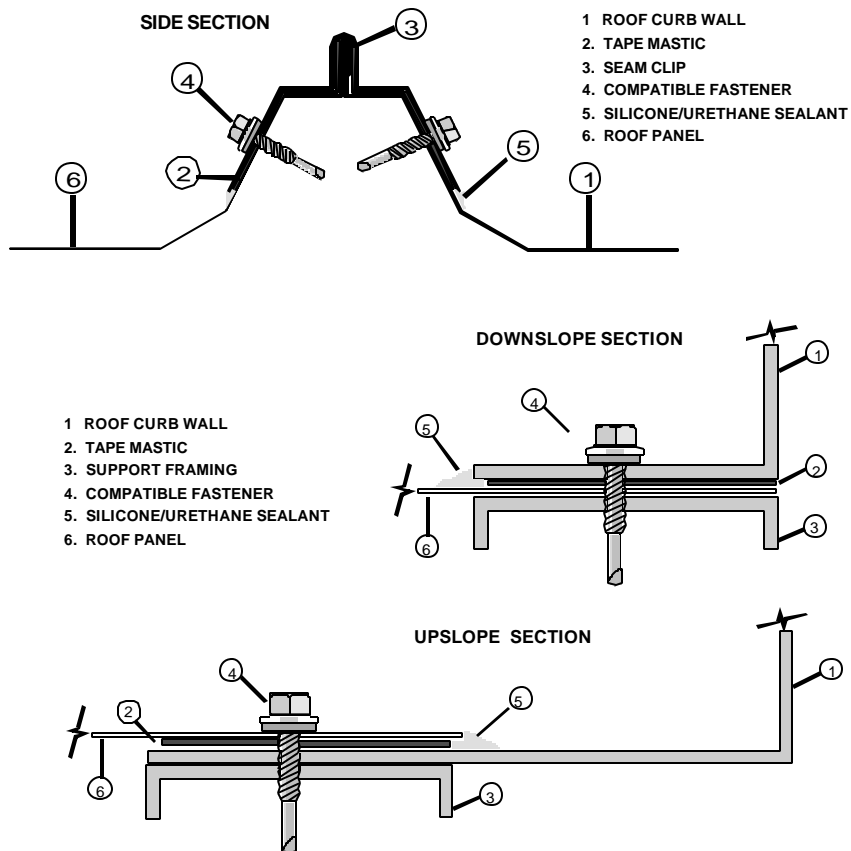


6. Press curb into place on the roof panel. Upslope flange goes under roof panel; downslope over roof panel.

7. Fasten the curb to support structure through curb up and downslope flanges and roof panel using fasteners compatible with the roof system. Use a minimum of four fasteners per side on maximum 4" centers.

8. Crimp roof panel seams over or against vertical ends of curb side panels to provide clearance for seam clips. Apply mastic and sealants to sides where seam clips are placed. Fasten seam clips with a minimum of four fasteners per side on maximum 4" centers.

Check tightness of fasteners and general integrity of installation. Caulk perimeter edges of curb flanges to roof panel.



R & S SALES COMPANY, INC.

3575 Old Conejo Road, NEWBURY PARK, CA 91320
PHONE 805-375-3980 FAX 805-375-3981