

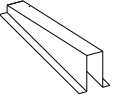



MAXIMUM SUPPORT PLATE
SPACING 5'0". LOCATE
OVER PURLINS

-  12-14 x 1-1/4" SELF-DRILLING FASTENER
-  12-14 x 3" SELF-DRILLING FASTENER
-  48" WIDE HAT SECTION FOR PERPENDICULAR RUN
-  48" WIDE SUPPORT PLATE FOR PARALLEL RUN

INSTALLATION NOTES

- * SUPPORT PLATES SHOULD BE LOCATED OVER PURLINS AND SPACED NO MORE THAN 5'0" ON CENTER
- * PROVIDE 1" WIDE x 3/16" MASTIC (NOT SUPPLIED) OVER RIBS PRIOR TO SETTING SUPPORT PLATES
- * GRATING SHOULD BE BUTTED END TO END OVER SUPPORTS
- * CONSULT ROOF MANUFACTURER FOR SPECIFIC INSTRUCTIONS AND WARRANTY INFORMATION

CONTRACTOR
JOB/LOCATION
DATE
WIDTH
ROOF WALK GAUGE
LENGTH PARALLEL
LENGTH PERPENDICULAR

METAL ROOF WALKWAYS

RW36-HR-PC

R & S SALES COMPANY, INC.
3575 OLD CONEJO ROAD
NEWBURY PARK, CA 91320
PHONE 805-375-3980
FAX 805-375-3981