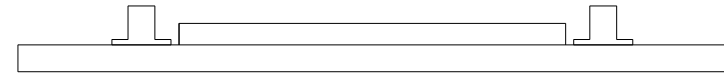
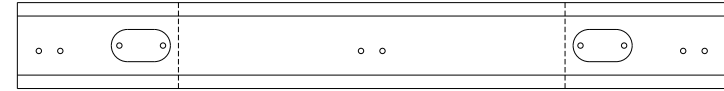


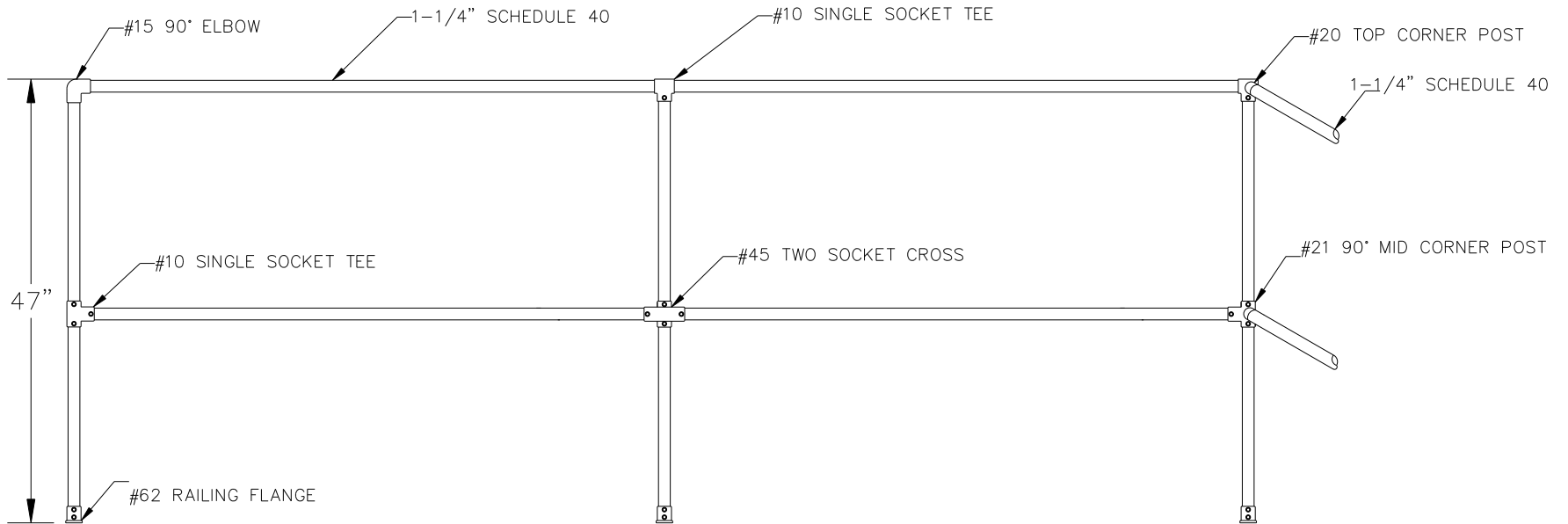
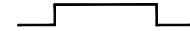
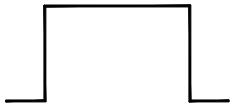
PERPENDICULAR DOUBLER PLATE



PERPENDICULAR SUPPORT



PARALLEL SUPPORT



CONTRACTOR:  
 JOB/LOCATION:  
 DATE:  
 WIDTH:  
 ROOF WALK GAUGE:  
 LENGTH PARALLEL:  
 LENGTH PERPENDICULAR:

SAFETY RAIL

R & S SALES COMPANY, INC.  
 3575 OLD CONEJO ROAD  
 NEWBURY PARK, CA 91320  
 PHONE 805-375-3980  
 FAX 805-375-3981