

R & S Manufacturing & Sales Company, Inc.

UL Smoke Vent Installation And Maintenance Instructions

Installation

Installation should conform to NFPA 204M guide for smoke and heat venting

The roof opening or curb over which the smoke vent is installed must be square and flat. If the mounting surface is out of square or not level, racking of the smoke vent may result and may compromise the operation of the vent. Apply appropriate sealant on the curb, set the smoke vent in place, and secure in place using fasteners as necessary. Typical base arrangements are shown below.

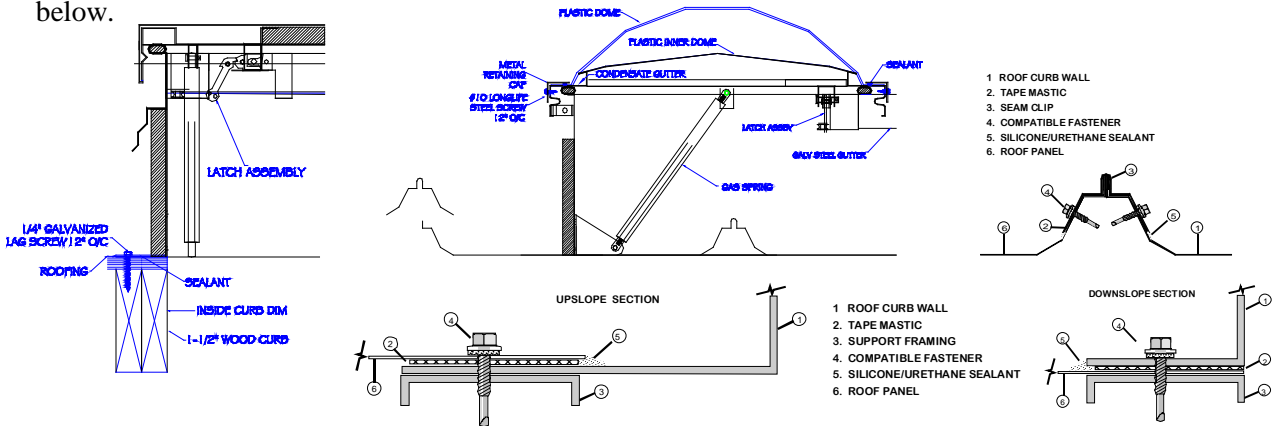


Figure 1 Convention Roof

Figure 2 Metal Building Roof

Do not remove the four lid retainers until after the vent is installed. Stand clear when opening the vent. To close the vent, two people should push on the latch corners of the lid down to within approximately one foot from the frame, and then each person simultaneously on each latch corner of the lid frame, quickly and firmly shut the lid. Remove hands from the lid slowly to insure latches are engaged.

Operation and Maintenance

If the fusible link has functioned and the lids have opened with no apparent damage to the smoke vent, the fusible link may be replaced after detaching the tension spring. Then after closing the S-hooks, re-connect the tension spring. Using the manual release, the vent should be manually opened to verify proper operation of the smoke vent.

In the case in which the hatch is equipped with a re-settable McCabe link they may be activated remotely or automatically. Once activated the rigging must be reattached. To do so first you must insert the S hook into the McCabe link. Reset the large turnbuckle closest to the McCabe link to its longest permissible length. Using a pair of pliers, pull the turnbuckle assembly towards the McCabe enough to place the small S hook back into the McCabe. Tighten the large turnbuckle so the two parallel springs stretch (from 3") to 4-1/8" end to end. Close both doors and test their operation with the outside manual release.

Smoke vents are not intended or warranted for continuous opening and closing as access or ventilation purpose. Test each door at least annually. Hinges, springs, and latches should be lubricated annually. Replace gas springs when necessary. Inspect metal surfaces for dirt and corrosion every six (6) months or more often as conditions warrant. Clean and touch up painted or coated surfaces as required.

Abrasive cleaners and some window cleaning products may scratch or cause crazing or plastic domes. Do not use hydrocarbon based products such as toluene, methyl alcohol, acetone, or gasoline to clean the domes.

To remove normal dirt, wash with a mild detergent and clear water rinse followed by wiping with a soft, clean cotton cloth. In the event tar is on the dome, it may be removed with VM&P Naptha, followed by washing as described above.

UL Smoke Vent Installation And Maintenance Instructions